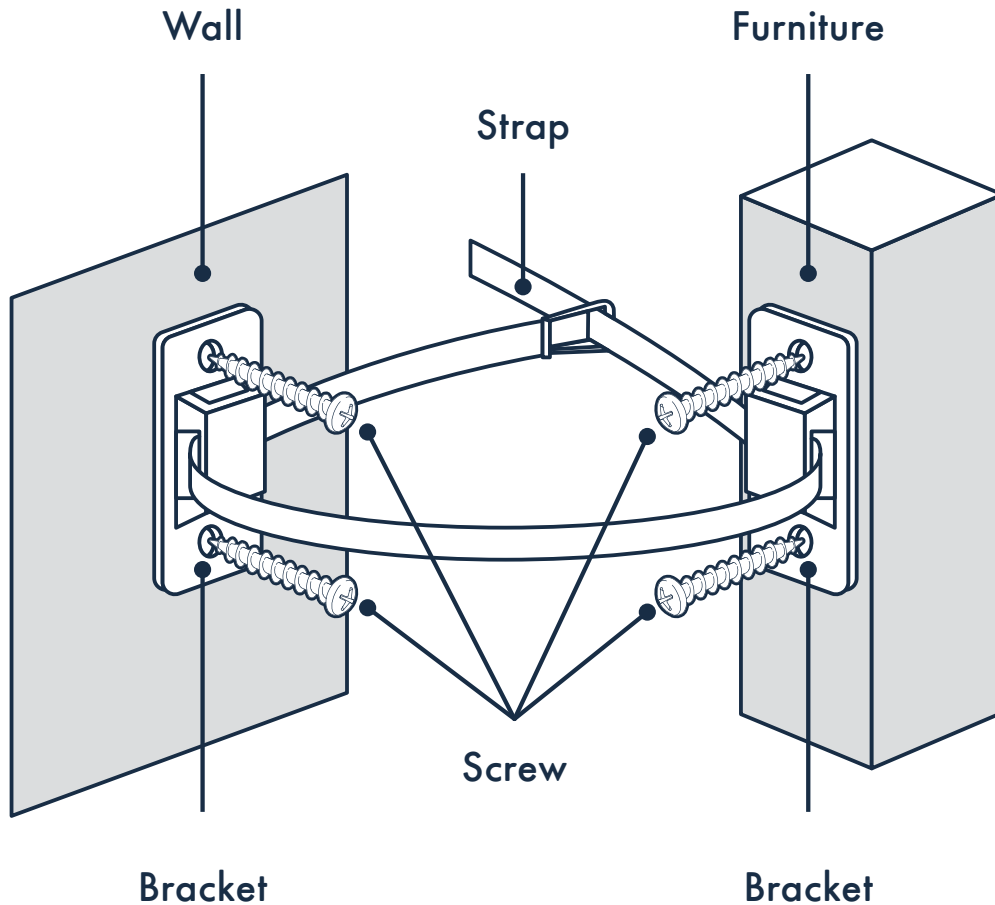


Pillow Talk



SAFETY BRACKET INSTRUCTIONS

OTTO ARCH FLOOR MIRROR



The safety hardware must be installed before use.

1. Attach a bracket to the wall with the long screws provided.
2. Attach bracket to the back of the furniture piece with the screws provided.
3. Move the furniture into its final position. Thread the strap through the bracket as shown in the illustration, tighten strap until snug. Do not over tighten.
4. Make sure the bracket is firmly attached to the wall and furniture and strap is snug.