

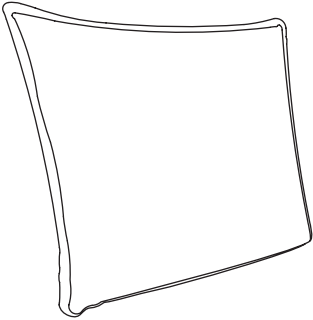

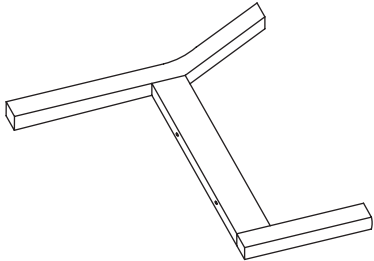
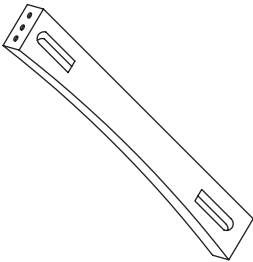
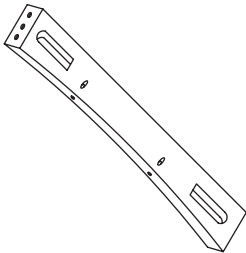
# Pillow Talk

## INSTALLATION INSTRUCTIONS


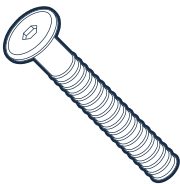



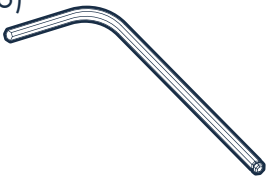


### OSCAR CHAIR



## PARTS LIST

<p>(A)</p>  <p>1 x Cushion Back</p>	<p>(B)</p>  <p>1 x Cushion Seat</p>	<p>(C)</p>  <p>2 x Chair Legs (L &amp; R)</p>
<p>(D)</p>  <p>1 x Front Rails</p>	<p>(E)</p>  <p>1 x Back Rails</p>	

## HARDWARE LIST

<p>(1)</p>  <p>4 x JCBC Screw M6x35mm</p>	<p>(2)</p>  <p>4 x JCBC Screw M6x50mm</p>	<p>(3)</p>  <p>8 x Spring Washer 1/4"</p>	<p>(4)</p>  <p>8 x Wood Dowel DIA 8 x 35mm</p>
<p>(5)</p>  <p>2 x Wood Dowel DIA 8 x 25mm</p>	<p>(6)</p>  <p>1 x M4 Allen Key (Ball Shape) Long</p>	<p>(7)</p>  <p>6 x Pan Head Wood Screw M5 x 32mm</p>	<p>(8)</p>  <p>4 x Wood Button 14.5mm</p>

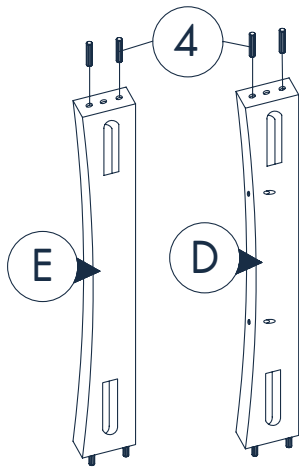
## ASSEMBLY STEPS

Read these instructions carefully. Refer to hardware and furniture parts list for guidance. Be sure all parts are complete, before assembling. Place all wooden furniture parts on a clean and flat soft surface to prevent scratches. Refer to steps provided as assembling guide.

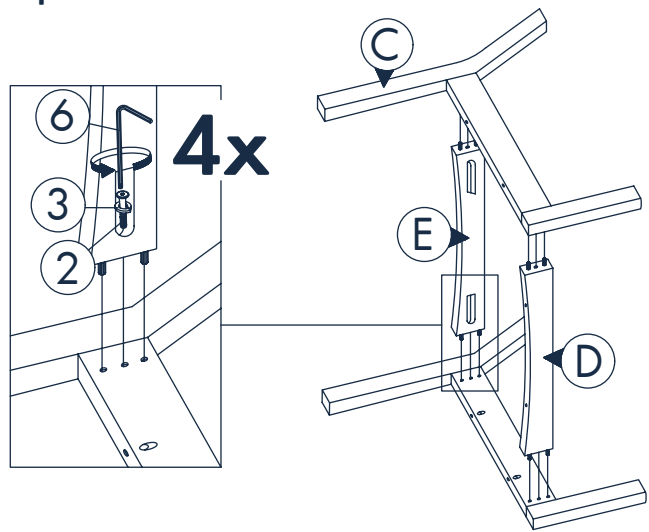
### CAUTIONS

- Do not FULLY-TIGHTEN the nuts or nut bolts until all are in place.
- To prevent thread damage. Ensure that nuts or nut bolts are not over-tightened.
- Hardware is to be kept out of reach of children.

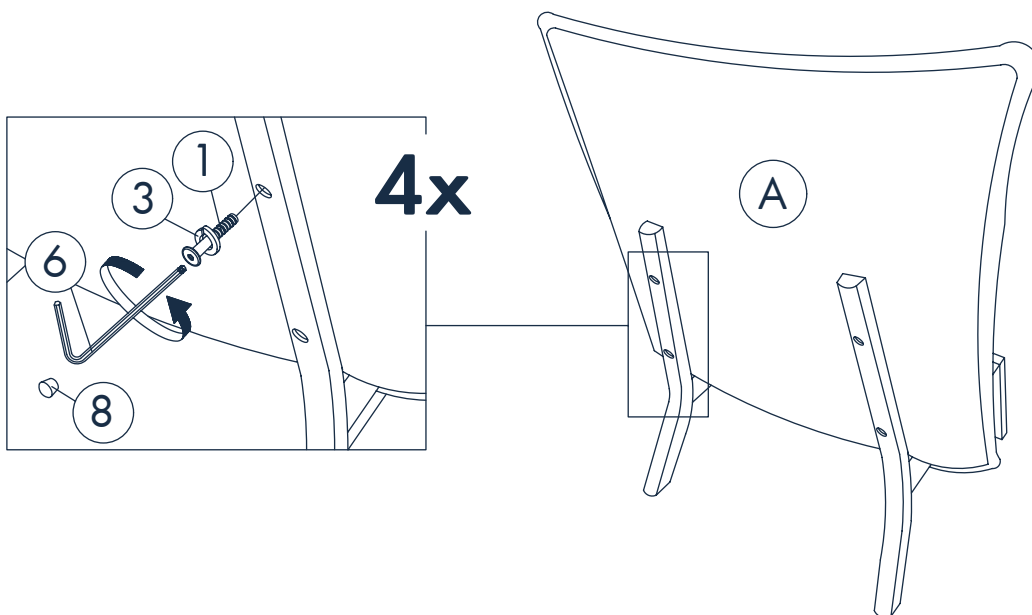
#### Step 1



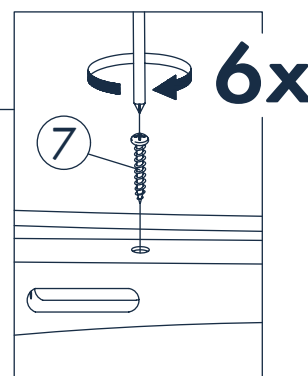
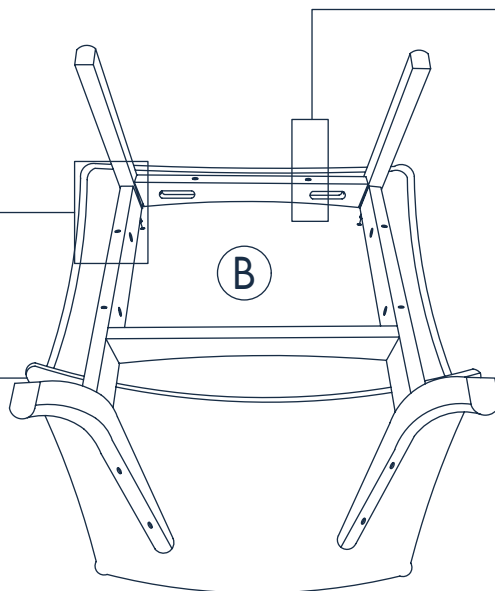
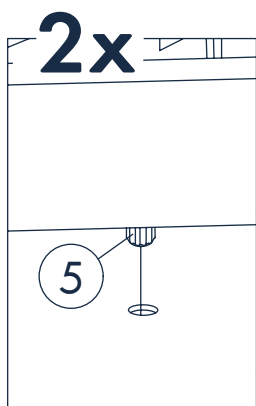
#### Step 2



#### Step 3



## Step 4



**Note:** Philips head screw driver is required for assembly

## Step 5

