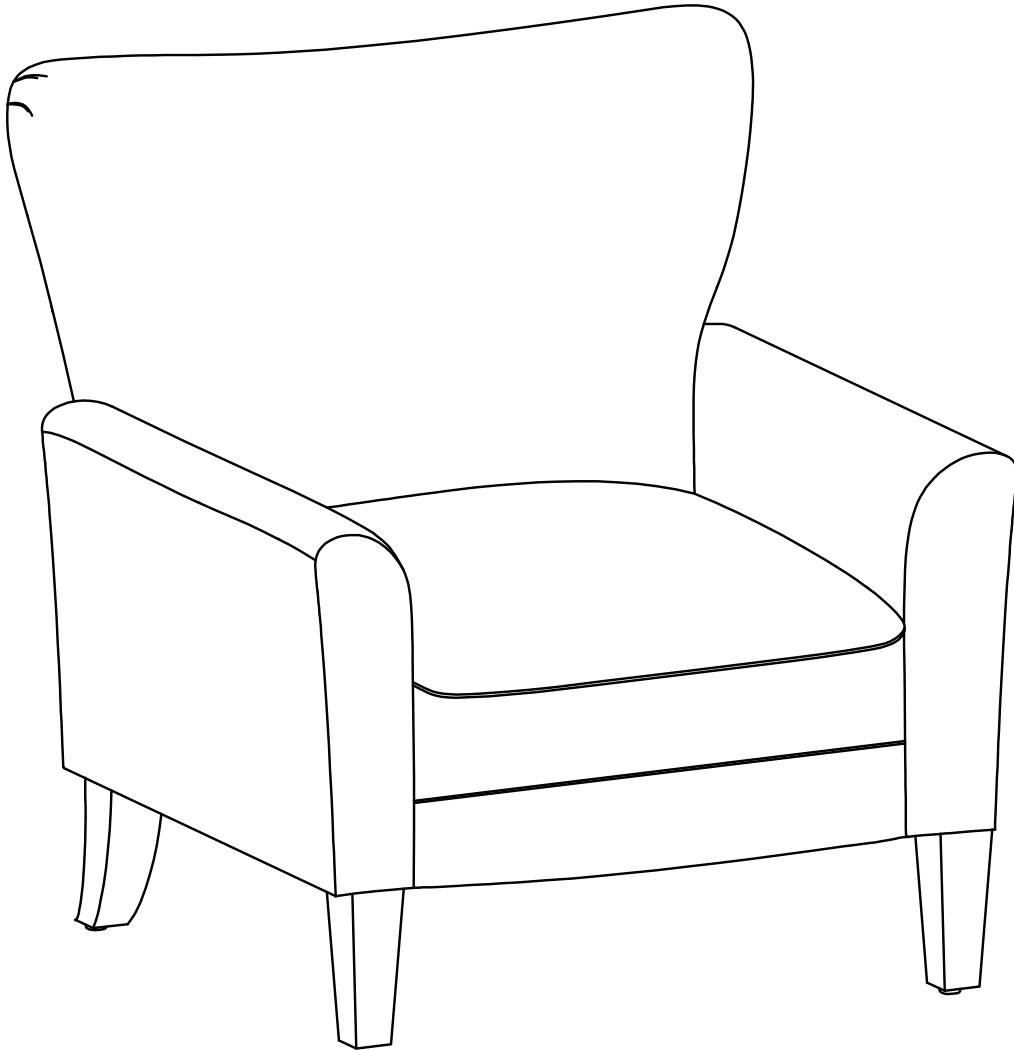


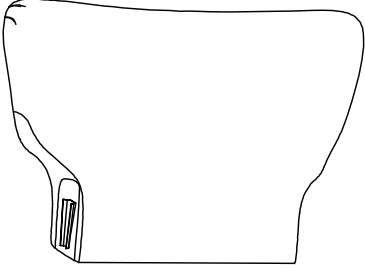
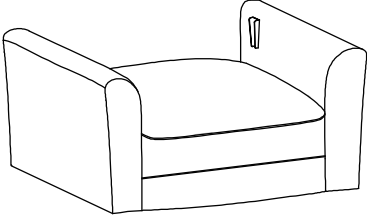
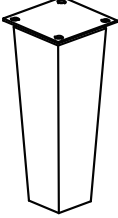
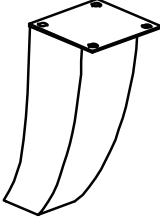
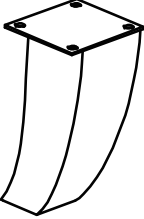
# Pillow Talk

## ASSEMBLY INSTRUCTIONS


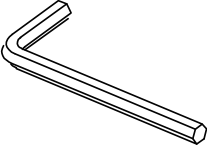
MERYL CHAIR



## PARTS LIST

<p>(A)</p>  <p>1 x Cushion Back</p>	<p>(B)</p>  <p>1 x Seat Frame</p>	<p>(C)</p>  <p>2 x Front leg</p>
<p>(D)</p>  <p>1 x Back Right Leg</p>	<p>(E)</p>  <p>1 x Back Left Leg</p>	

## HARDWARE LIST

<p>(1)</p>  <p>12pcs</p>	<p>(2)</p>  <p>1 x Allen Key</p>
---	---

## ASSEMBLY STEPS

Read these instructions carefully. Refer to hardware and furniture parts list for guidance. Be sure all parts are complete, before assembling. Place all wooden furniture parts on a clean and flat soft surface to prevent scratches. Refer to steps provided as assembling guide.

### CAUTIONS

- Do not FULLY-TIGHTEN the nuts or nut bolts until all are in place.
- To prevent thread damage. Ensure that nuts or nut bolts are not over-tightened.
- Hardware is to be kept out of reach of children.

