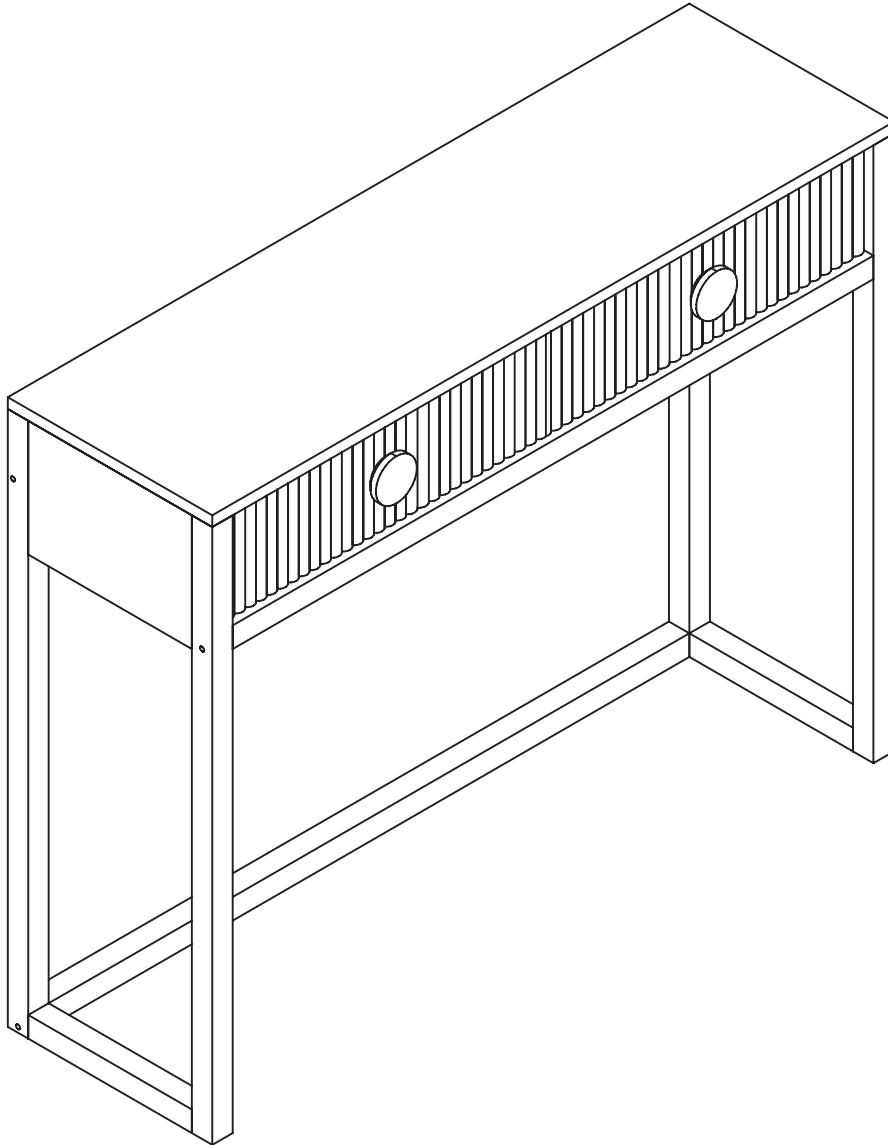


Pillow Talk

ASSEMBLY INSTRUCTIONS

DUTTON CONSOLE





Children have died from furniture toppling over.

This product has been supplied with a wall strap to prevent toppling.

The fixing anchor for your wall is not provided since different surface materials require different attachments.

Please seek professional advice if you are in doubt of what fixing device to use.

ALWAYS secure this furniture with an anchor device.

IMPORTANT

- **Regularly check** that anchors are securely maintained.
- Do not overload.
- Place heavy objects in the lowest drawers.
- Never allow children to stand, climb or hang on drawers, doors or shelves.
- Stability of tall items may be affected by thick pile carpet or uneven floors.
- Do not put a TV or other heavy objects on top of furniture not intended for use with a TV.
- Never open more than one drawer at a time.

CAUTION

For your safety when attaching the anchor fixings, please note the following:

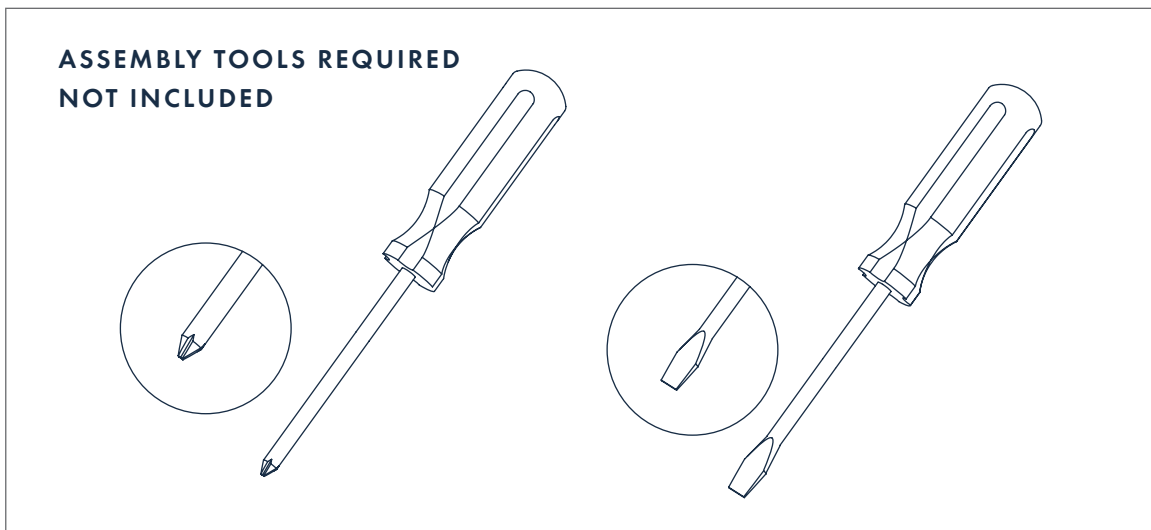
- Check for any electrical wires or plumbing inside the wall before drilling any holes (if you are unsure, please seek professional advice from a qualified tradesperson)
- Walls are constructed from different materials, for example, masonry (solid brick) or plasterboard lined cavity walls (hollow). It is important that you use the appropriate wall fittings for your wall type.
- Your local hardware store will have the necessary drills and fittings and can offer advice if needed. If in doubt, engage the services of a qualified tradesperson to install and anchor this product.

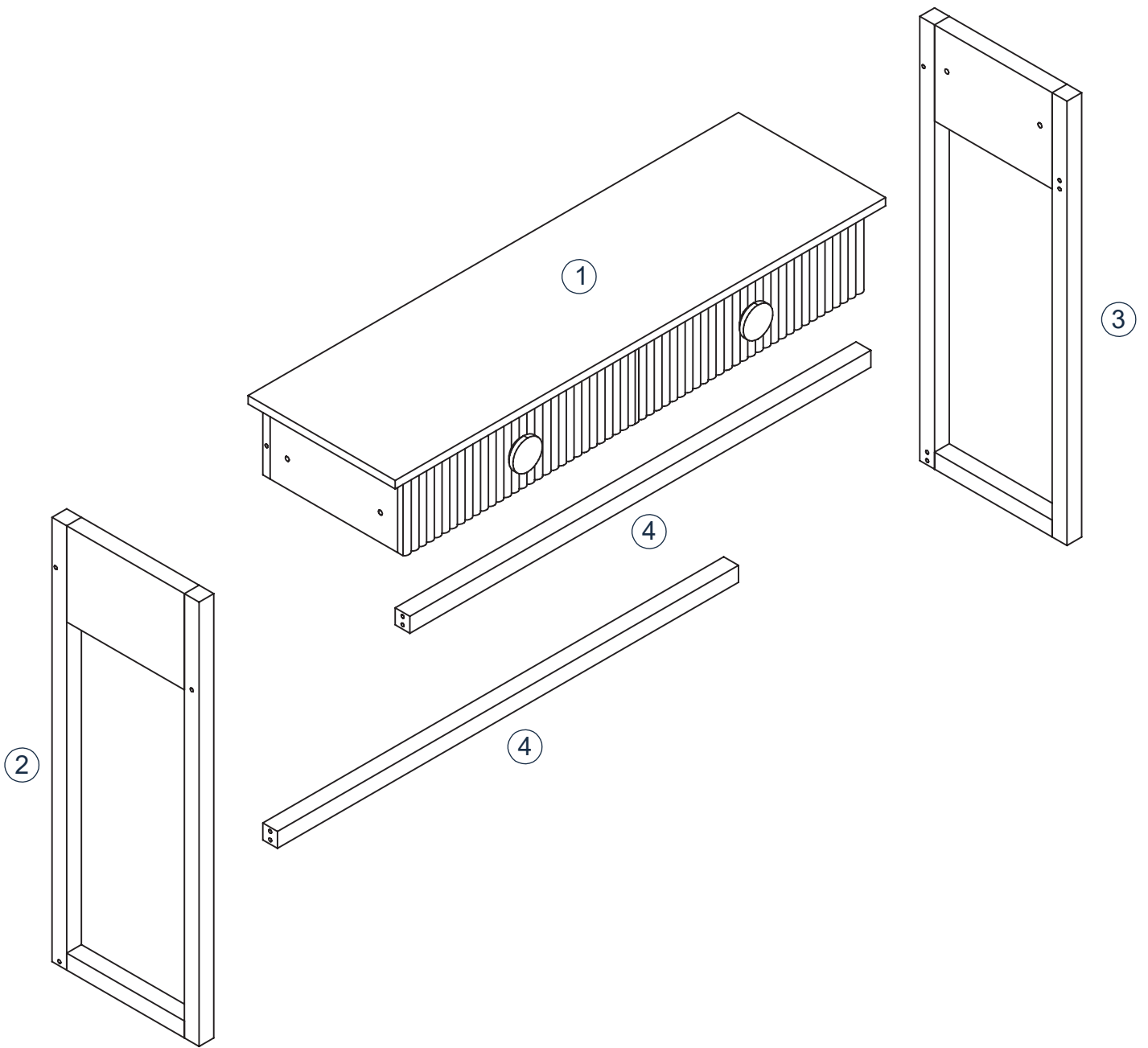
BEFORE ASSEMBLY

Thank you for purchasing this quality product. This product has been designed for easy assembly and constructed for durability. All parts were checked prior to packaging to insure quality. Prior to beginning assembly, however, make sure all parts and hardware are included and free of obvious defect. If a part is missing or defective, please contact the Pillow Talk store where the goods were purchased.

IMPORTANT NOTE:

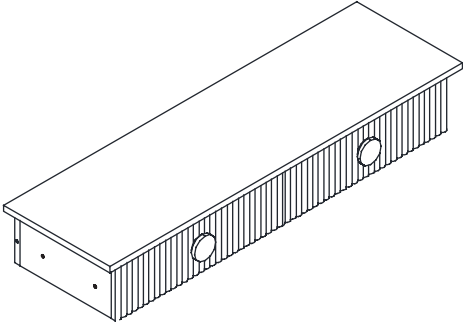
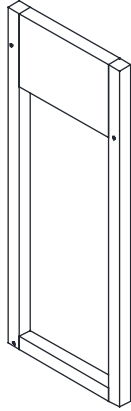
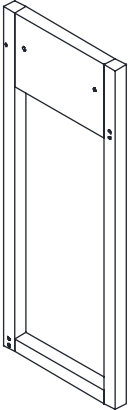
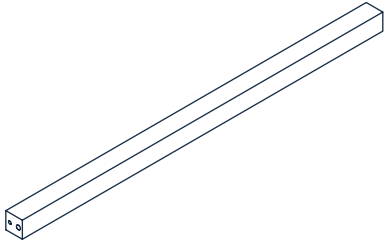
- Place all wooden parts on a clean and smooth surface such as a rug or carpet to avoid the parts from being scratched.
- Remove all wrapping material, including staples & packing straps before you start to assemble.
- DO NOT tighten all screws and bolts until completely assembled.
- Keep all hardware parts out of reach of children.






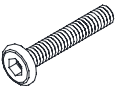












PARTS LIST

When unpacking, please be careful not to discard any parts with the packaging.
Before continuing, please make sure you have the following parts:

<p>(1)</p>  <p>1 x Cabinet</p>	<p>(2)</p>  <p>1 x Left leg</p>
<p>(3)</p>  <p>1 x Right leg</p>	<p>(4)</p>  <p>2 x Stretcher</p>

HARDWARE LIST

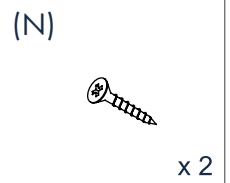
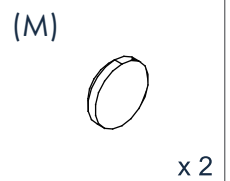
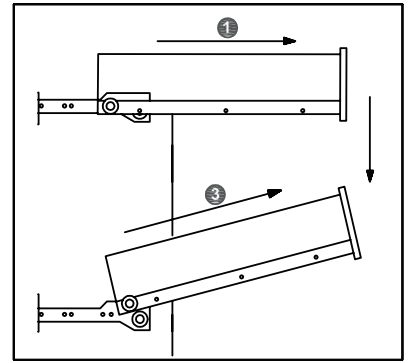
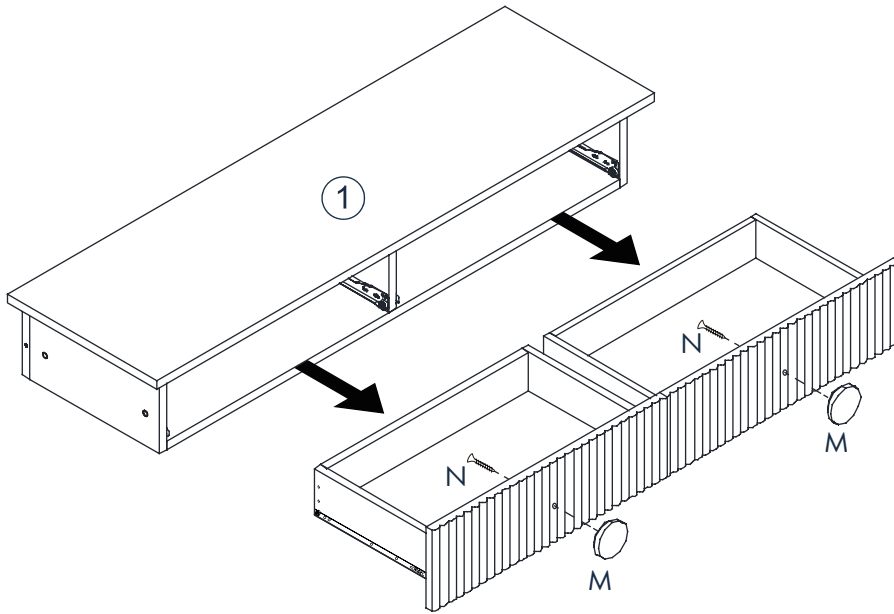
When unpacking, please be careful not to discard any parts with the packaging.
Before continuing, please make sure you have all of the following hardware:

<p>(A)</p>  <p>4 x Ø6x25mm</p>	<p>(B)</p>  <p>6 x Ø6x70mm</p>	<p>(C)</p>  <p>6 x Bolt Nut</p>	<p>(D)</p>  <p>4 x Dowel</p>	<p>(E)</p>  <p>1 x Allen Key</p>	<p>(F)</p>  <p>2 x Ø4x14mm</p>	<p>(G)</p>  <p>2 x Anti-tip Belt</p>
<p>(H)</p>  <p>4 x Washer</p>	<p>(I)</p>  <p>2 x Wall anchor</p>	<p>(J)</p>  <p>2 x Ø4x35mm</p>	<p>(K)</p>  <p>6 x Cover Caps</p>	<p>(L)</p>  <p>1 x Glue</p>	<p>(M)</p>  <p>2 x Handle</p>	<p>(N)</p>  <p>2 x Ø4x25mm</p>

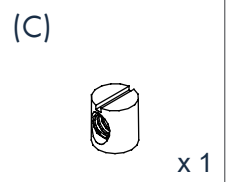
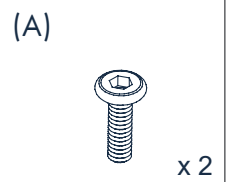
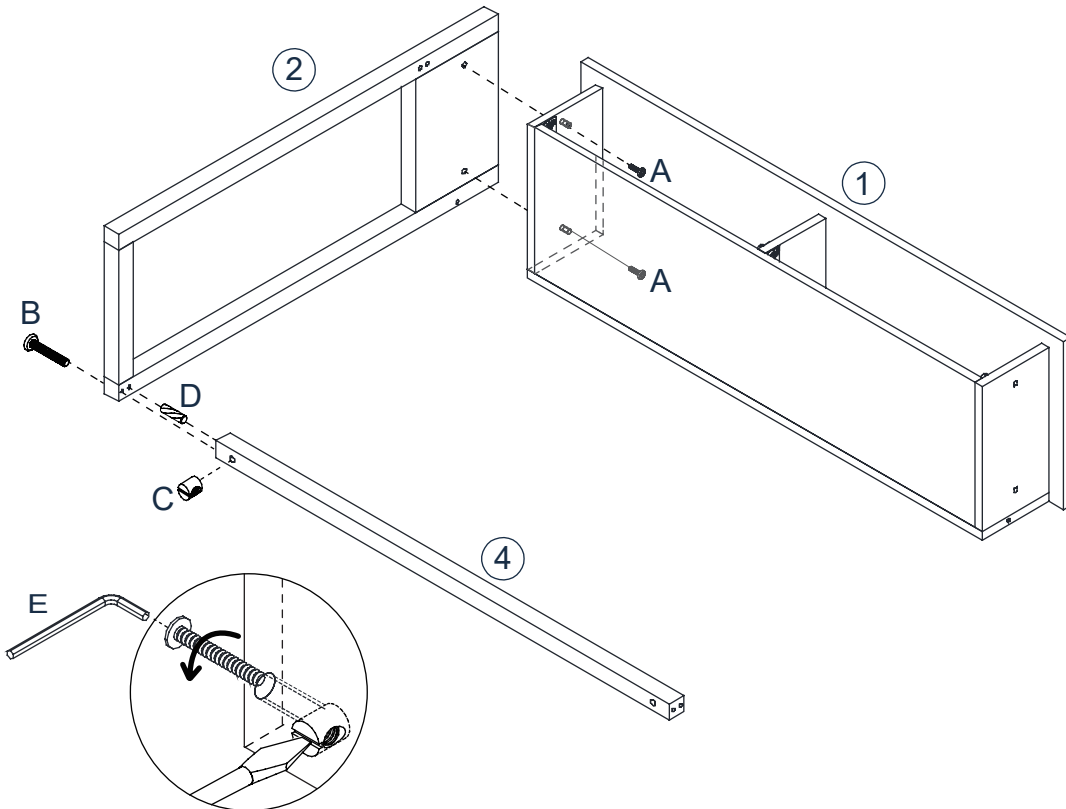
(The hardware quantities listed above are required, For proper assembly some extra hardware may have been included.)

ASSEMBLY STEPS

Step 1

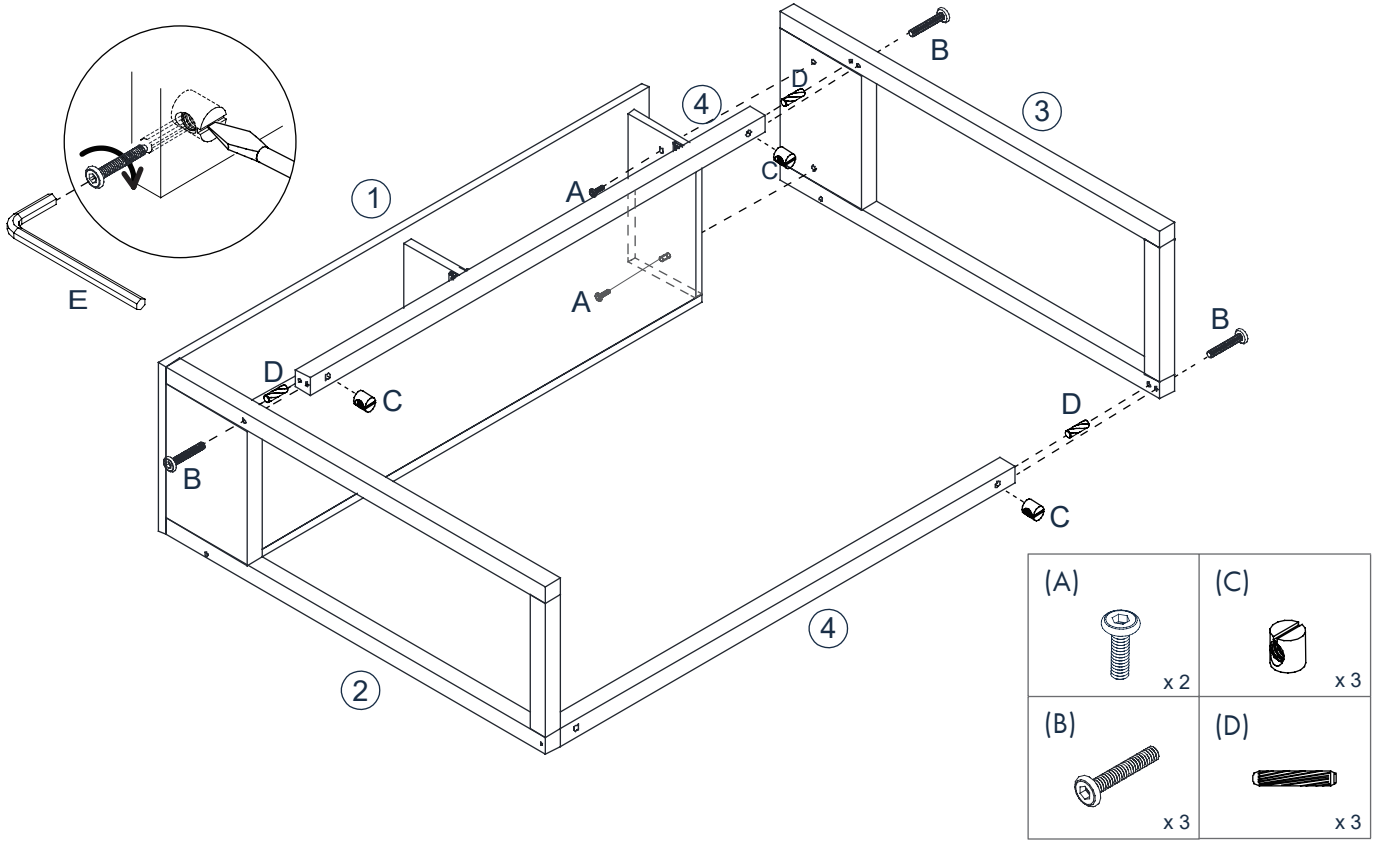


Step 2

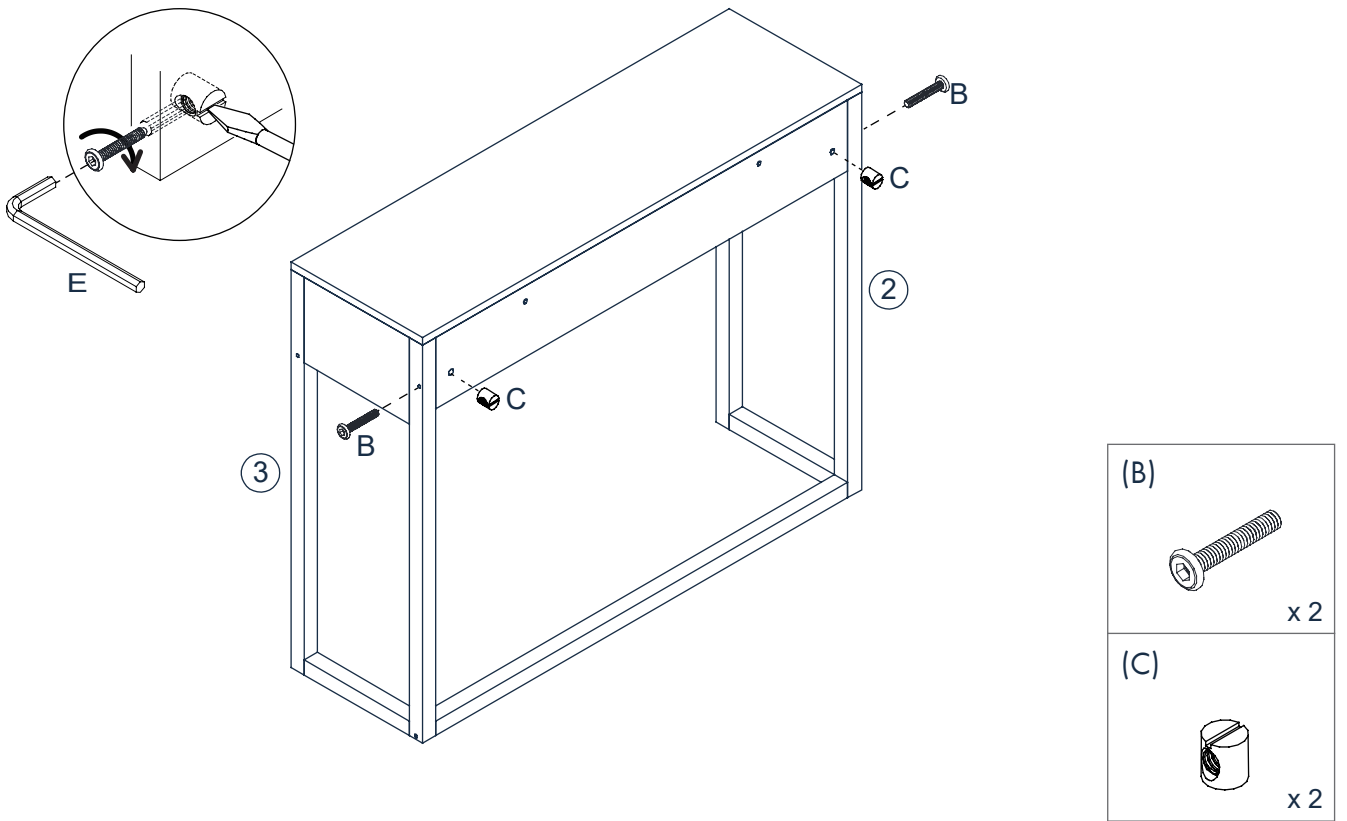


ASSEMBLY STEPS

Step 3

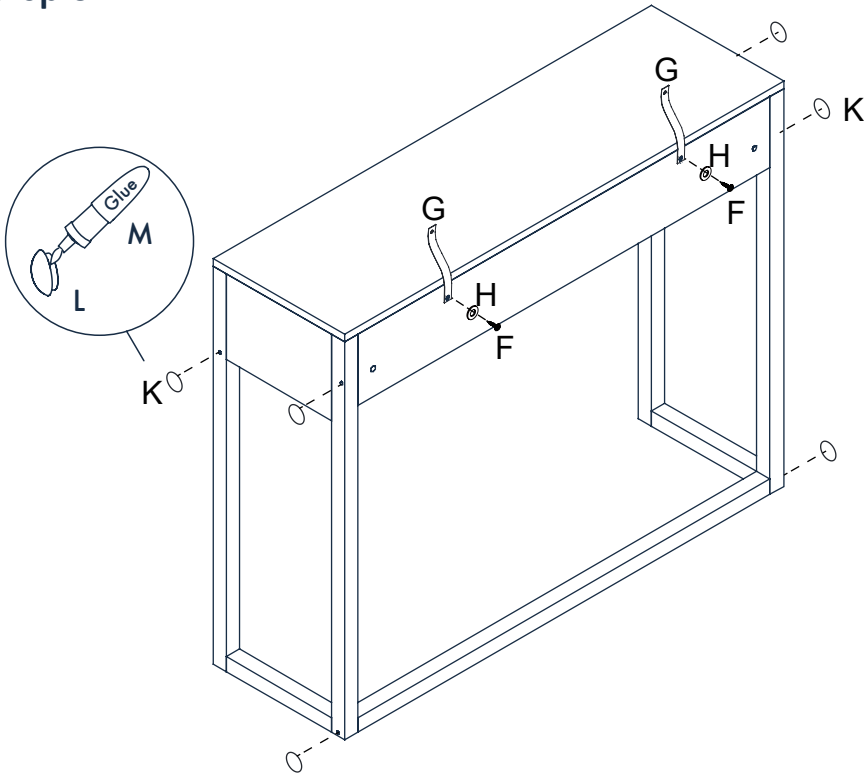







Step 4



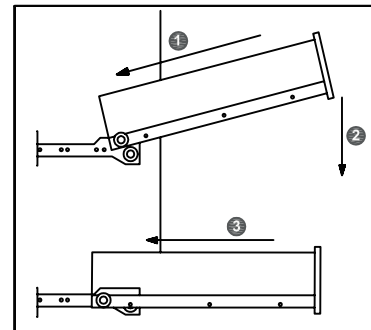
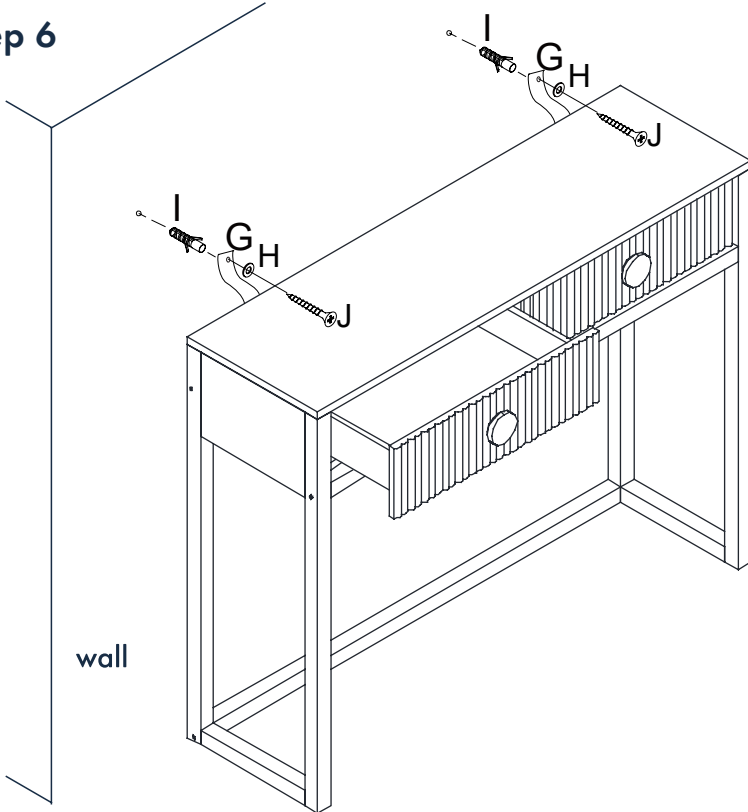
ASSEMBLY STEPS


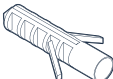

Step 5



- (F)  x 2
- (G)  x 2
- (H)  x 2
- (L)  x 6
- (M)  x 1

Step 6



- (H)  x 2
- (I)  x 2
- (J)  x 2



PLEASE NOTE: The fixing anchor for your wall is not provided since different surface materials require different attachments. Please seek professional advice if you are in doubt of what fixing device to use.

ASSEMBLY STEPS

