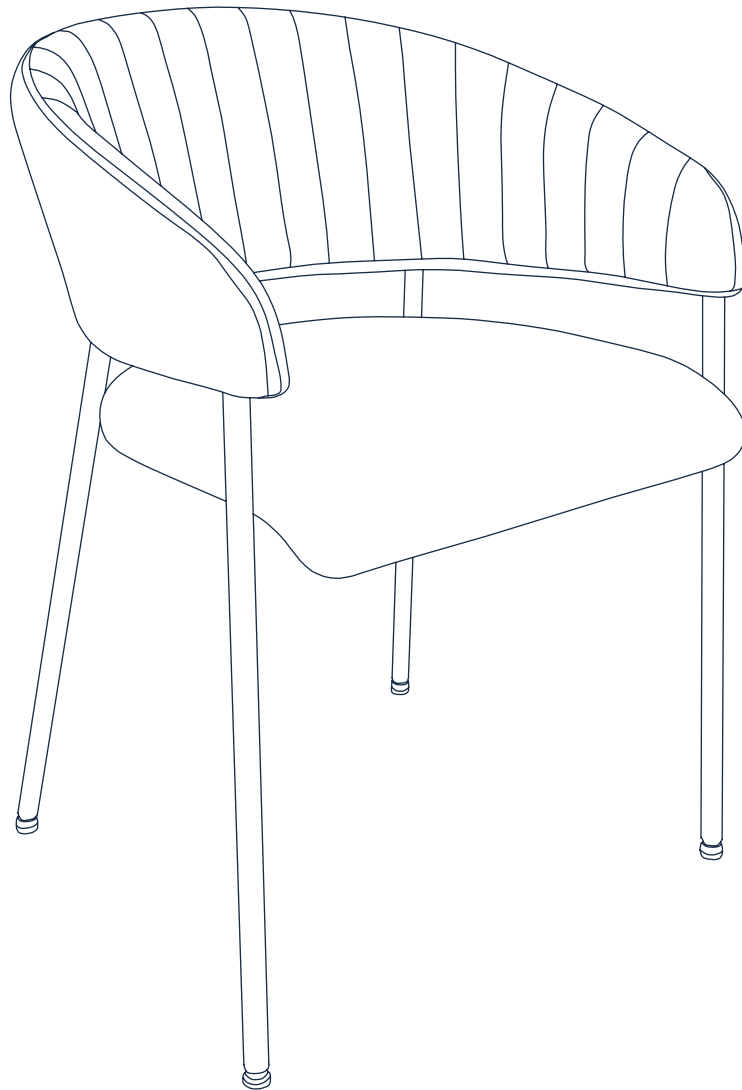


Pillow Talk

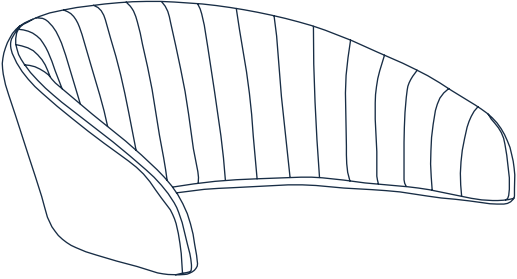
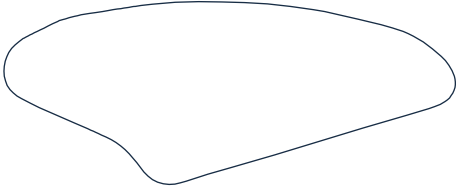
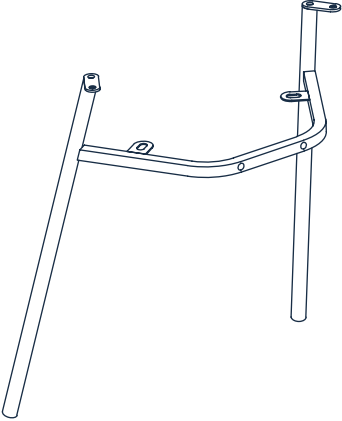
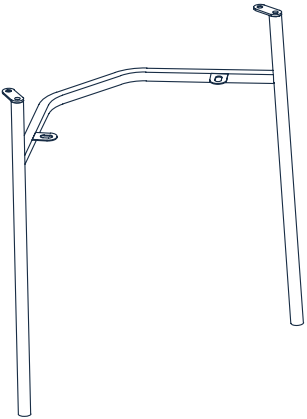
INSTALLATION INSTRUCTIONS

BLAKE DINING CHAIR

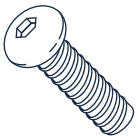
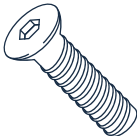
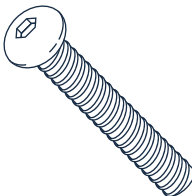
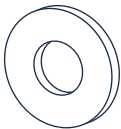

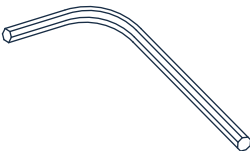



PARTS LIST

When unpacking, please be careful not to discard any parts with the packaging.
Before continuing, please make sure you have the following parts:

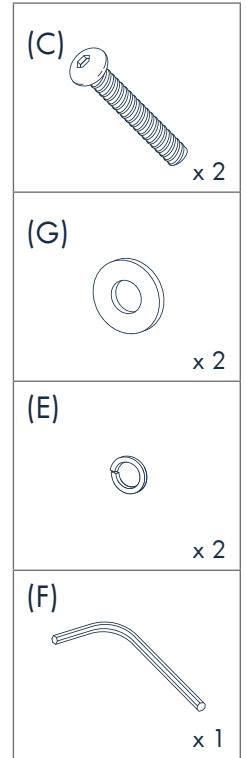
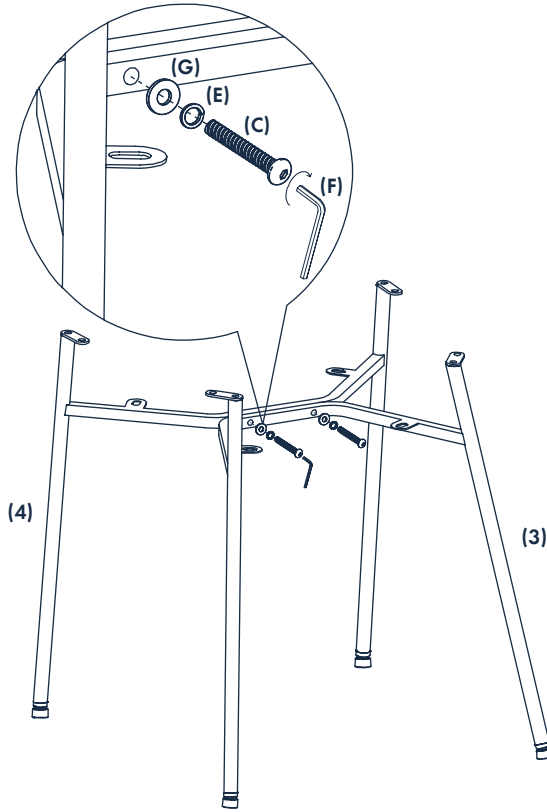
<p>(1)</p>  <p>1 x Chair Back</p>	<p>(2)</p>  <p>1 x Chair Seat</p>
<p>(3)</p>  <p>1 x Rear Legs</p>	<p>(4)</p>  <p>1 x Front Legs</p>

HARDWARE LIST

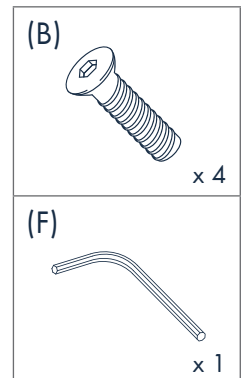
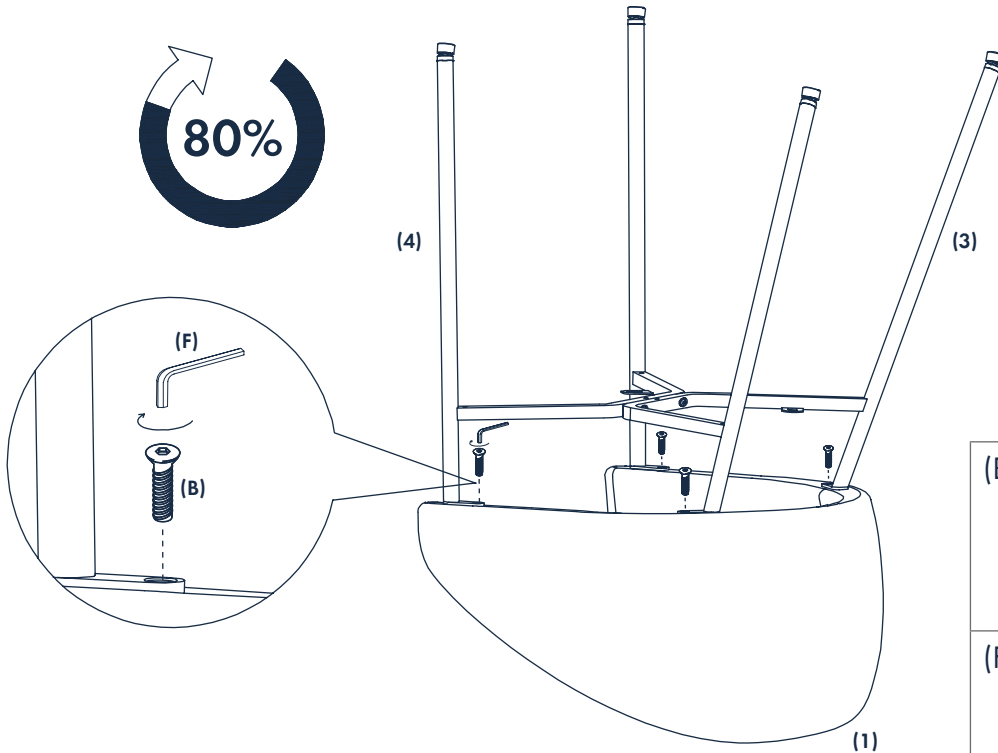
<p>(A)</p>  <p>4 x M6x16mm</p>	<p>(B)</p>  <p>4 x M6x16mm</p>	<p>(C)</p>  <p>2 x M6x30mm</p>	<p>(D)</p>  <p>4 x M6x18mm</p>
<p>(E)</p>  <p>2 x M6x10mm</p>	<p>(F)</p>  <p>1 x M4</p>	<p>(G)</p>  <p>2 x M6x14mm</p>	

ASSEMBLY STEPS

Step 1

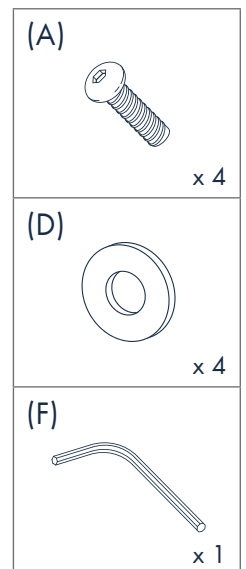
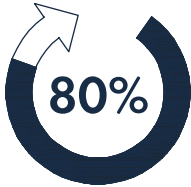
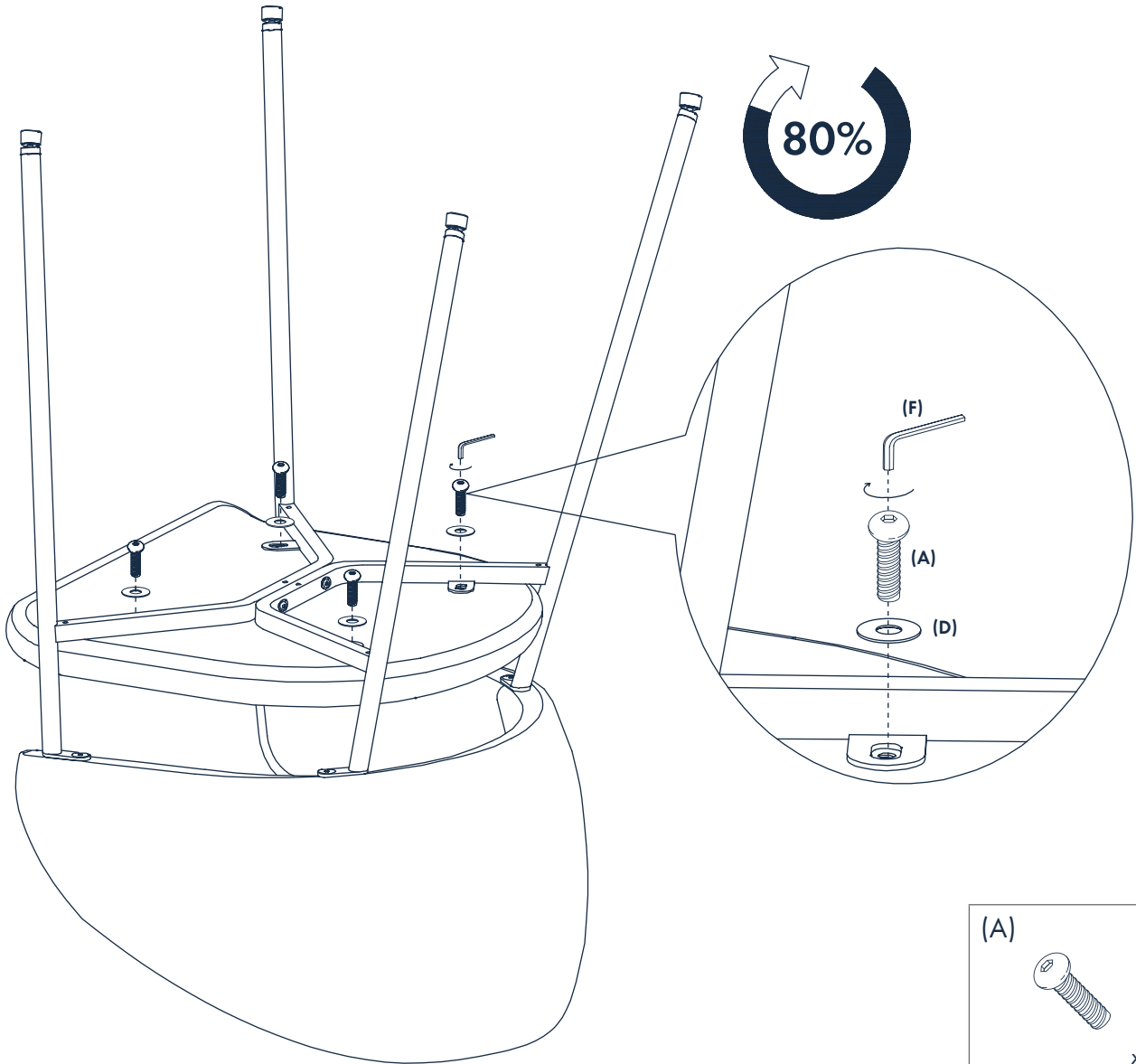


Step 2



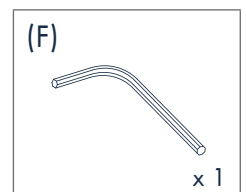
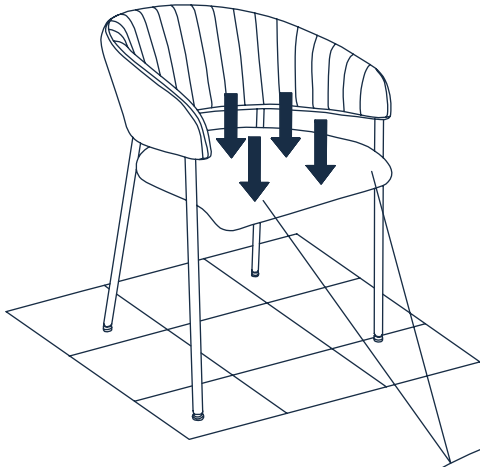
ASSEMBLY STEPS

Step 3



ASSEMBLY STEPS

Step 4



ASSEMBLY STEPS

Step 5

