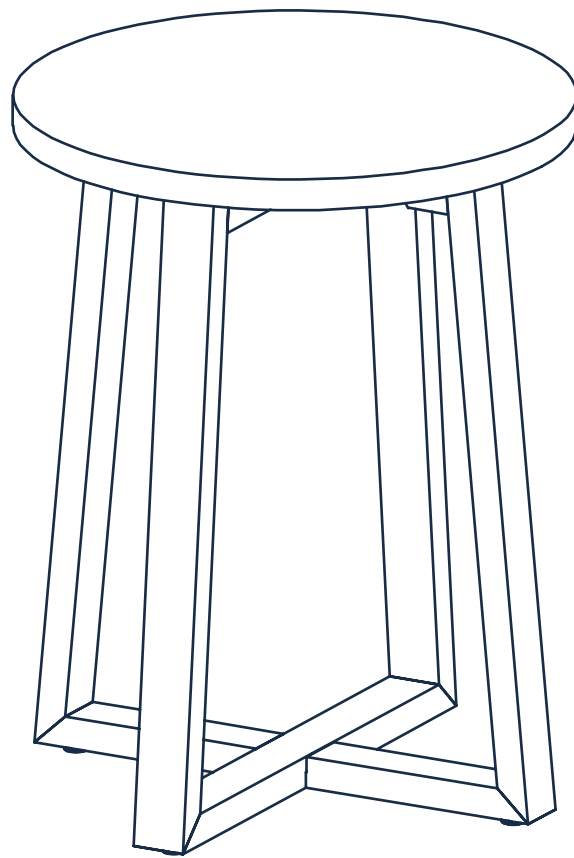


Pillow Talk

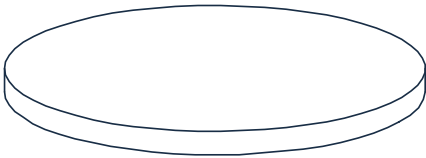
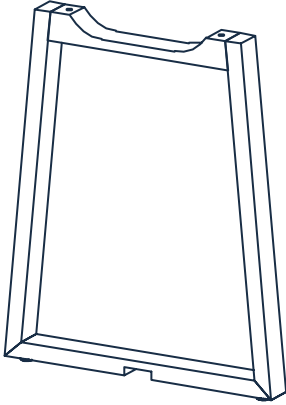
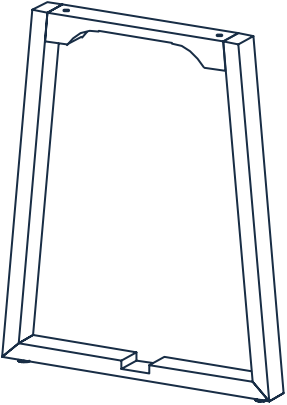
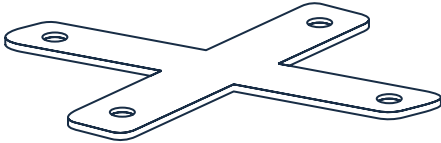
ASSEMBLY INSTRUCTIONS

HAZEL SIDE TABLE

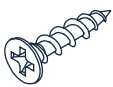
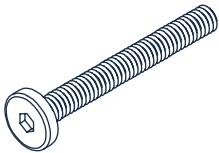



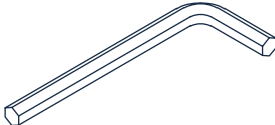


PARTS LIST

Please read instructions carefully. Remove all wrapping material, staples and packing straps from the carton.
See Hardware and Furniture Parts List for guidance. Be sure you have all parts before you start assembling.
Place all wooden furniture parts on a clean and flat surface, such as carpet or rug to prevent from being scratched.

<p>(A)</p>  <p>1 x Top</p>	<p>(B)</p>  <p>1 x Leg frame 1</p>
<p>(C)</p>  <p>1 x Leg frame 2</p>	<p>(D)</p>  <p>1 x Bracket</p>

HARDWARE LIST

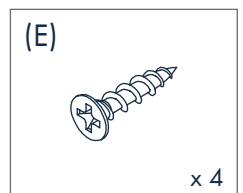
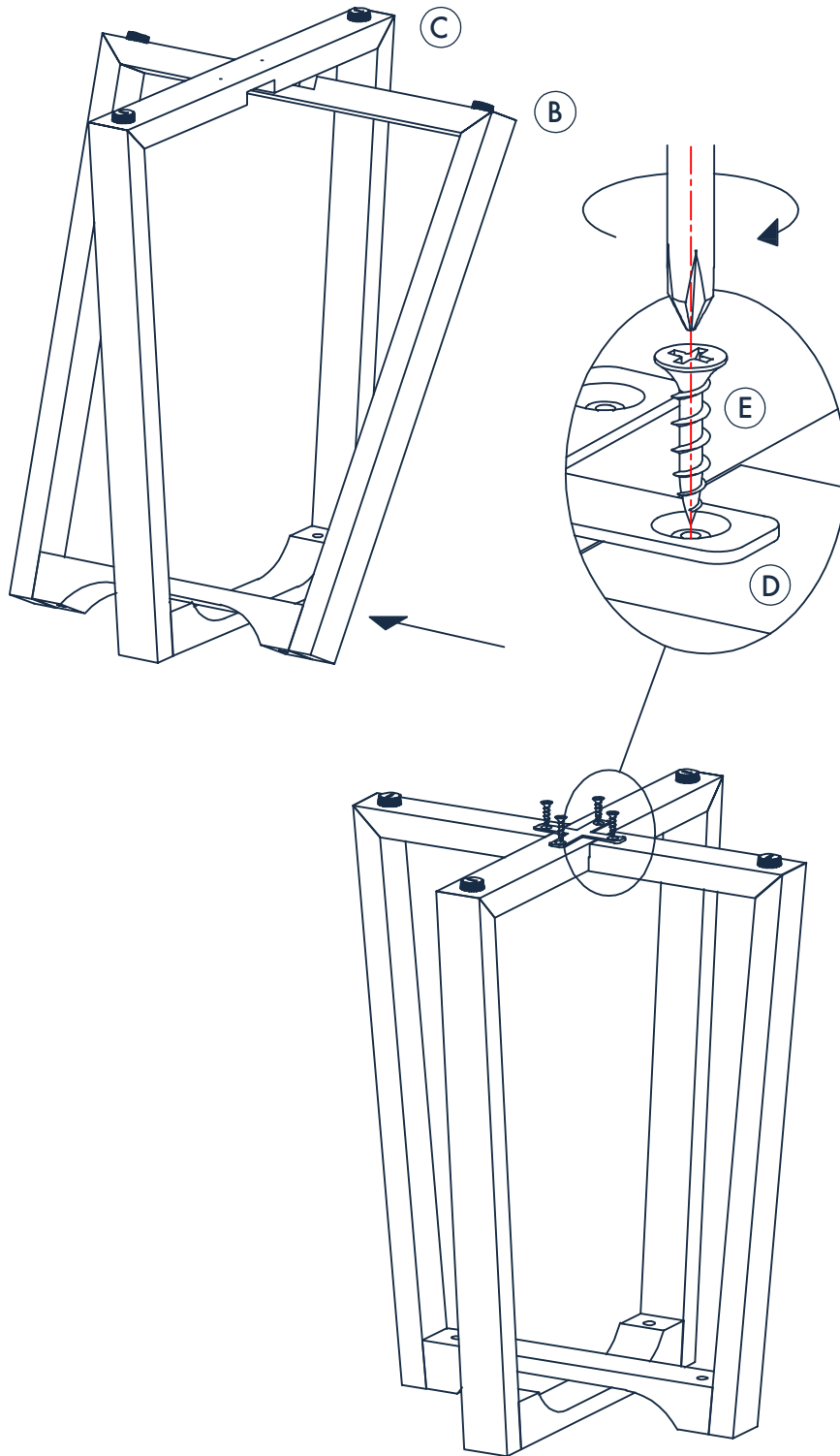
<p>(E)</p>  <p>4 x Screw</p>	<p>(F)</p>  <p>4 x Bolt</p>	<p>(G)</p>  <p>x 4</p>
<p>(H)</p>  <p>x 4</p>	<p>(I)</p>  <p>x 4</p>	<p>(J)</p>  <p>1 x Allen key</p>

ASSEMBLY STEPS

First, check the contents to make sure that nothing is missing. Sort out the parts and fittings as shown assemble product step by step. It is preferable to rest the product on a soft surface to avoid damage during assembly.

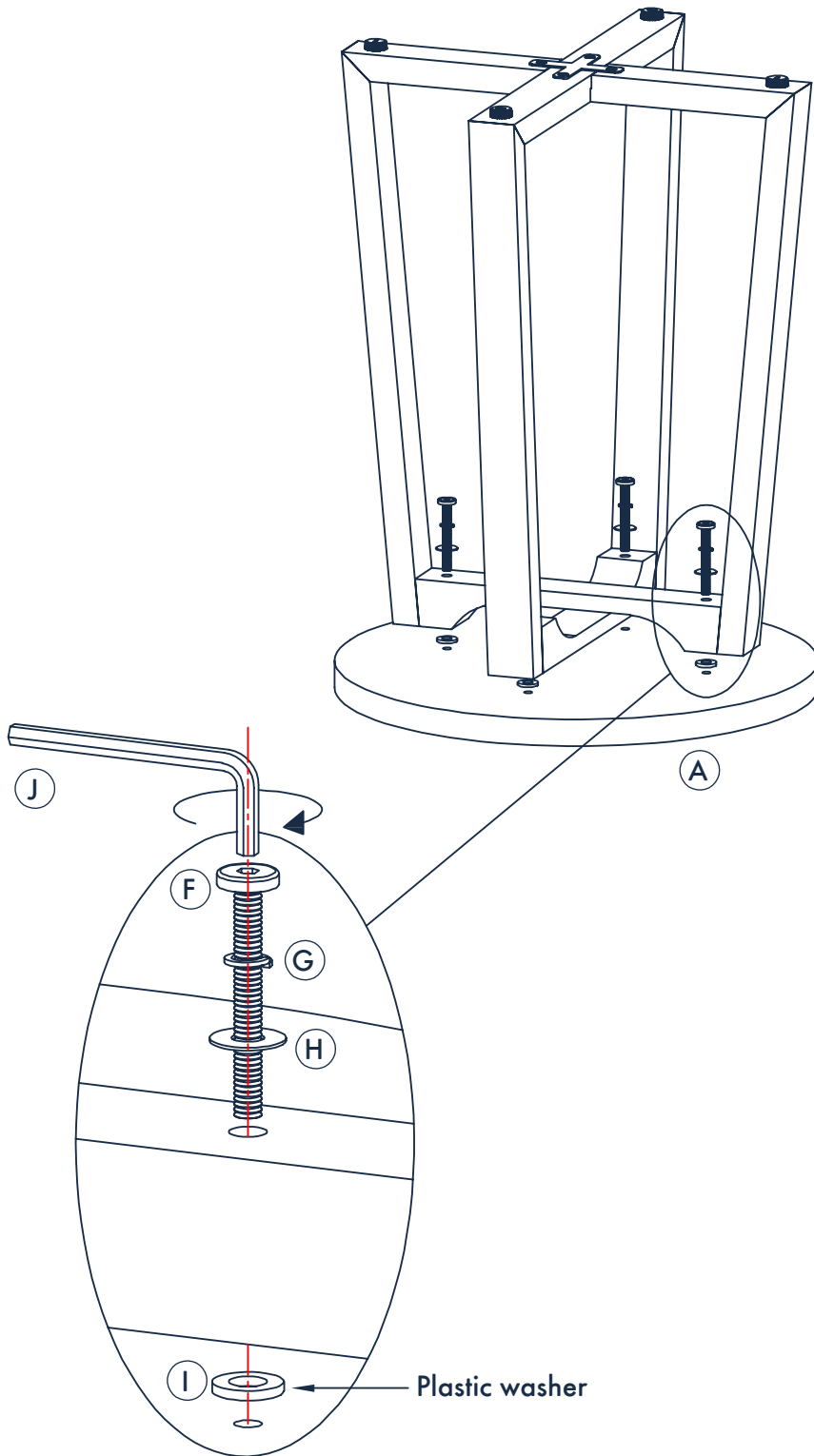
Do not over tighten screws and fittings. Re-tighten all screws and fittings periodically.

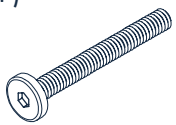




Step 1



ASSEMBLY STEPS

Step 2



(F)		x 4
(G)		x 4
(H)		x 4
(IO)		x 4
(J)		x 1

ASSEMBLY STEPS

Step 3

