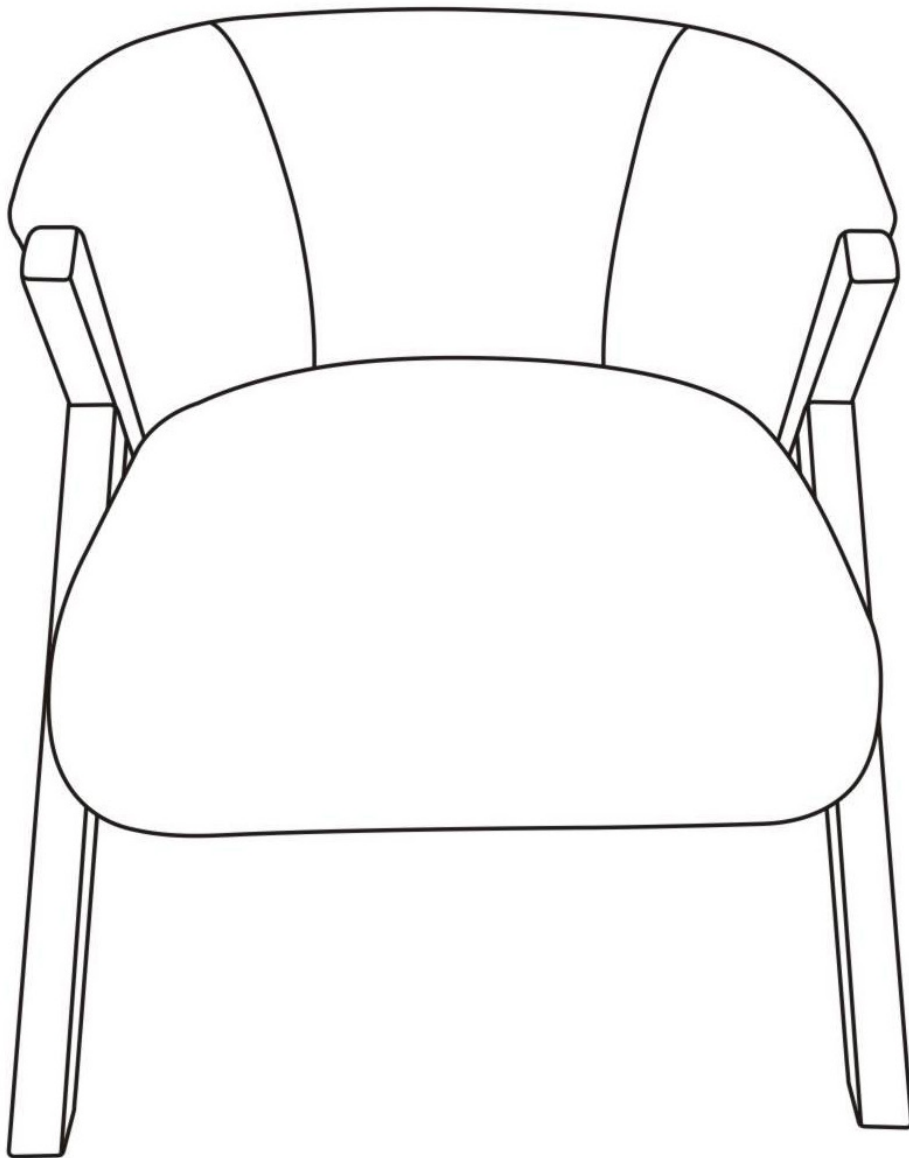


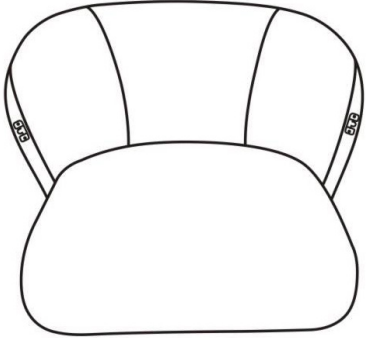
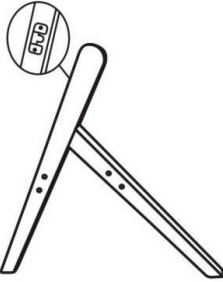
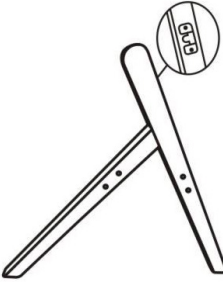
Pillow Talk

ASSEMBLY INSTRUCTION




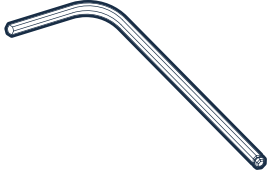
ORELLA OCCASIONAL CHAIR



PARTS LIST

<p>(A)</p>  <p>1 x base</p>	<p>(B)</p>  <p>1 x side leg</p>	<p>(C)</p>  <p>1 x side leg</p>
--	--	--

HARDWARE LIST

<p>(D)</p>  <p>8 x 18mm</p>	<p>(E)</p>  <p>8 x 6x50mm</p>	<p>(F)</p>  <p>4 x protective stoppers</p>	<p>(G)</p>  <p>1 x G</p>
--	--	--	---

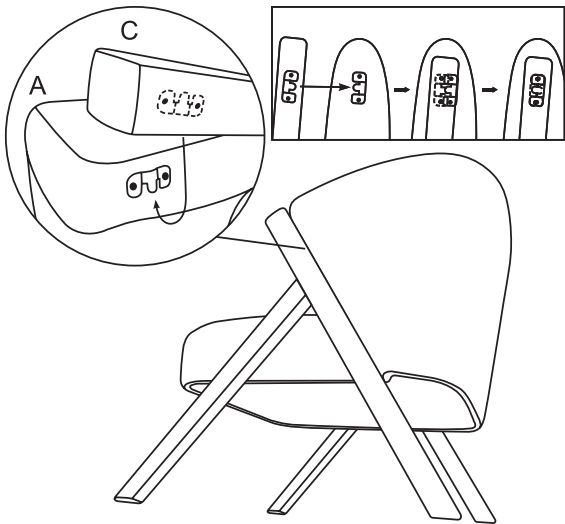
ASSEMBLY STEPS

Read these instructions carefully. Refer to hardware and furniture parts list for guidance. Be sure all parts are complete, before assembling. Place all hardware parts on a clean and flat soft surface to prevent scratches. Refer to steps provided as assembling guide.

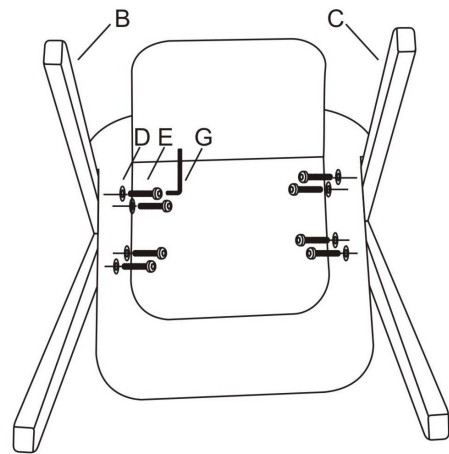
CAUTIONS

- Do not FULLY-TIGHTEN the nuts or nut bolts until all are in place.
- To prevent thread damage. Ensure that nuts or nut bolts are not over-tightened.
- Hardware is to be kept out of reach of children.

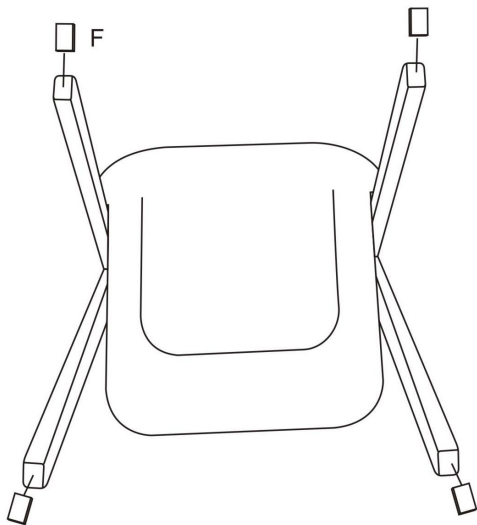
Step 1 - Slide top of the leg to the chair.



Step 2



Step 3



Step 4

