

Pillow Talk

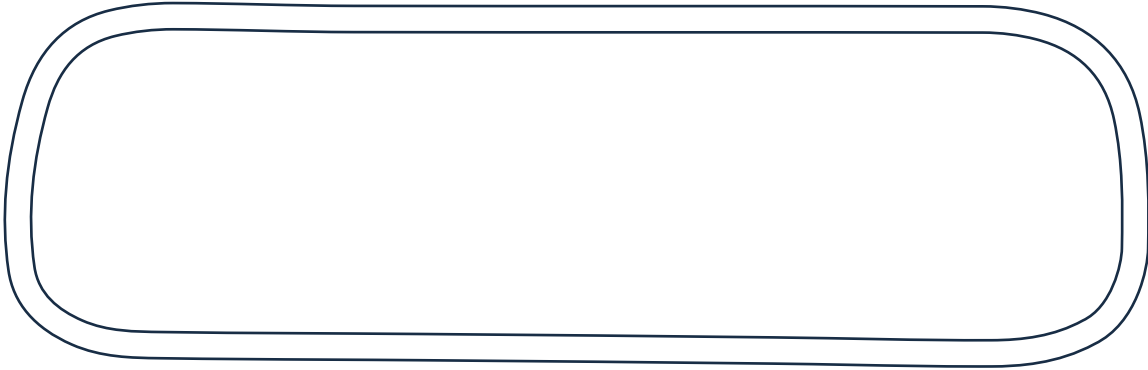
INSTALLATION INSTRUCTIONS

FERRIS BENCH



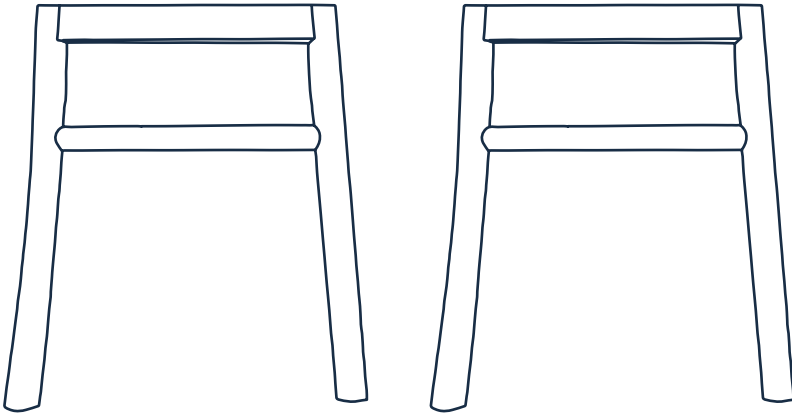
PARTS LIST

(A)



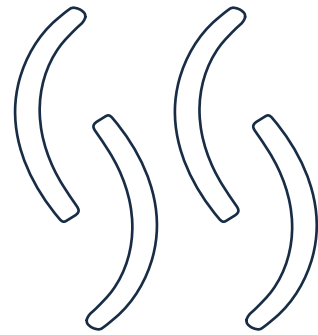
1 x Seat

(B)



2 x Leg

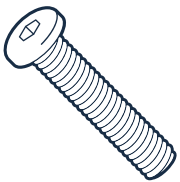
(C)



4 x U Brace

HARDWARE LIST

(1)



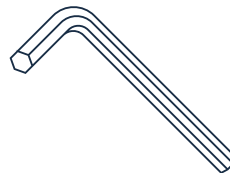
4 x Bolt M8*40mm

(2)



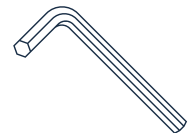
8 x Bolt M6*35mm

(3)



1 x Big Allen Key

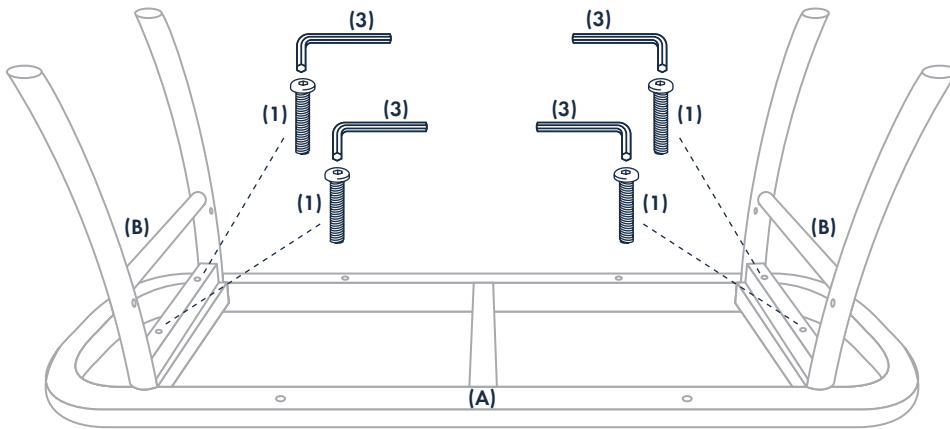
(4)



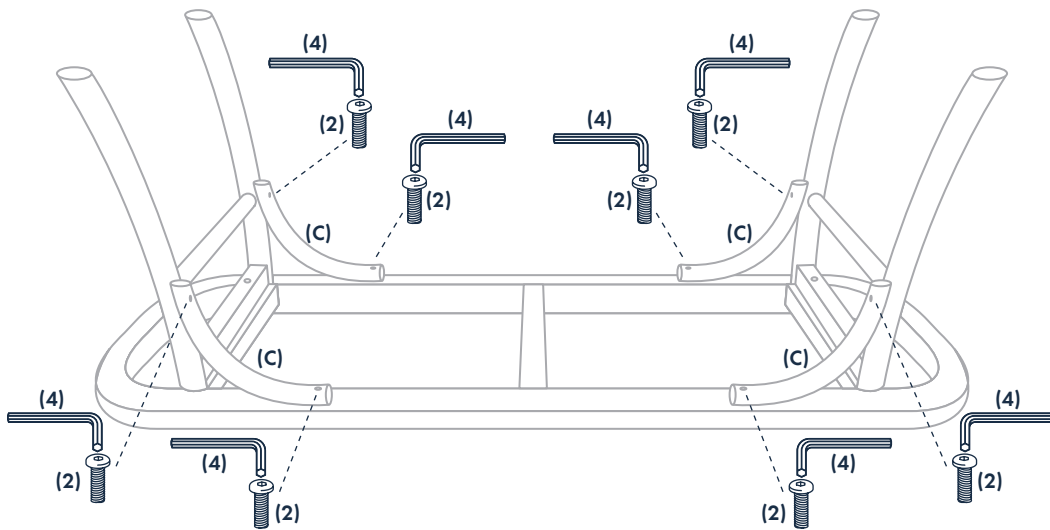
1 x Small Allen Key

ASSEMBLY STEPS

Step 1



Step 2



Step 3

