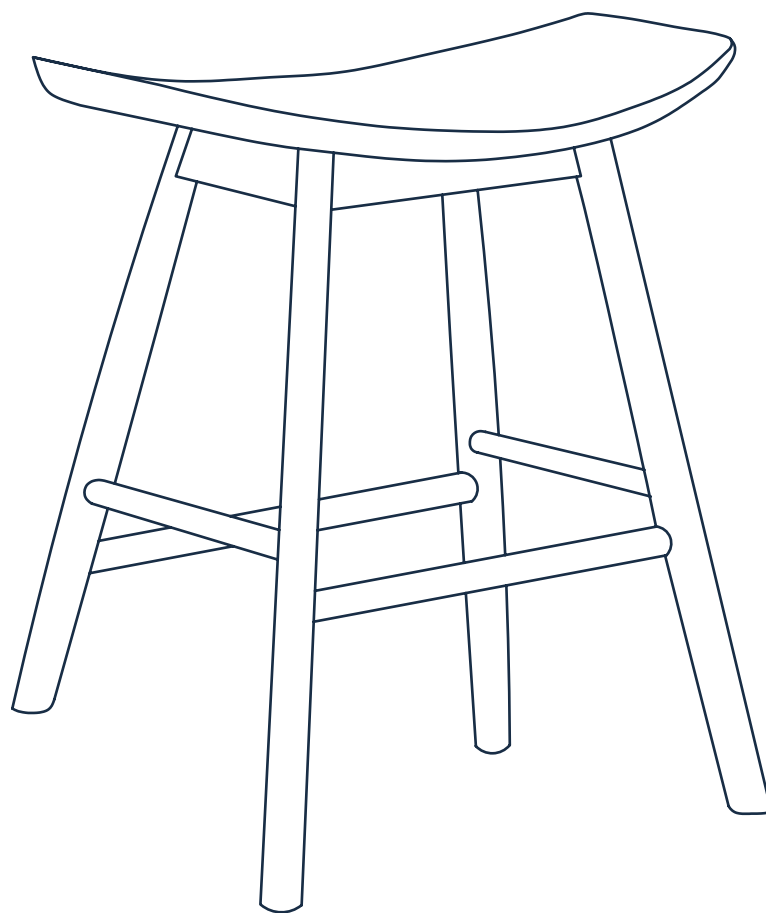




Pillow Talk

INSTALLATION INSTRUCTIONS

ARDEN STOOL

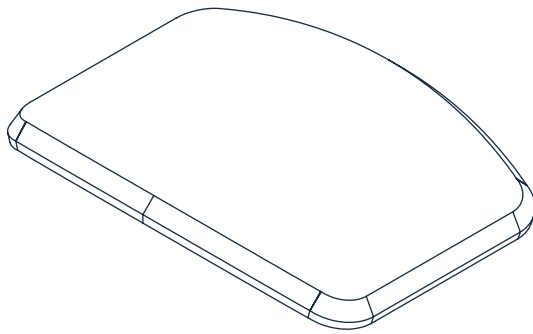
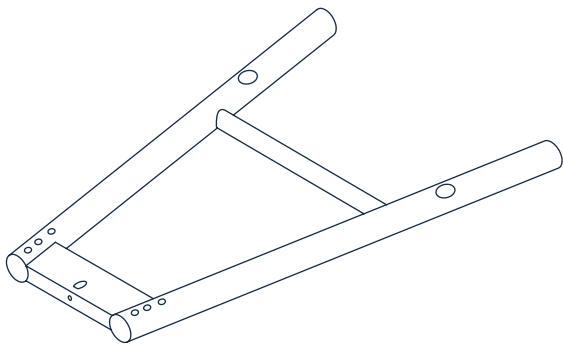
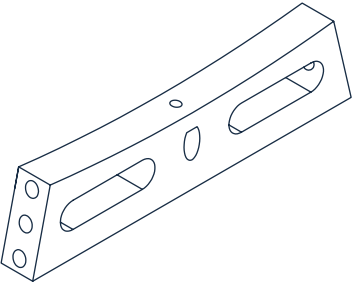
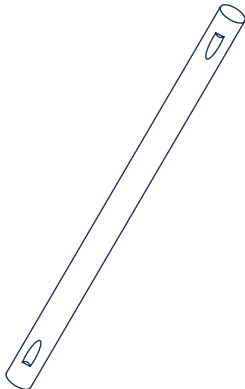


1.

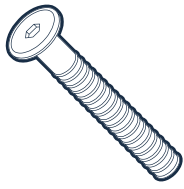










PARTS LIST

<p>(A)</p>  <p>1 x Veneer Seat</p>	<p>(A)</p>  <p>2 x Bar Stool Legs (L & R)</p>
<p>(B)</p>  <p>2 x Side Rails</p>	<p>(C)</p>  <p>2 x Round Stretcher</p>

HARDWARE LIST

<p>(1)</p>  <p>4 x JCBC Screw M6x50mm</p>	<p>(2)</p>  <p>4 x Spring Washer 1/4"</p>	<p>(3)</p>  <p>1 x M4 Allen Key (Ball Shape)</p>	<p>(4)</p>  <p>8 x Pan Head Wood Screw M5 x 32mm</p>
<p>(5)</p>  <p>8 x Wood Dowel DIA 8 x 35mm</p>	<p>(6)</p>  <p>2 x Wood Dowel DIA 8 x 25mm</p>	<p>(7)</p>  <p>Adjustable Screw</p>	





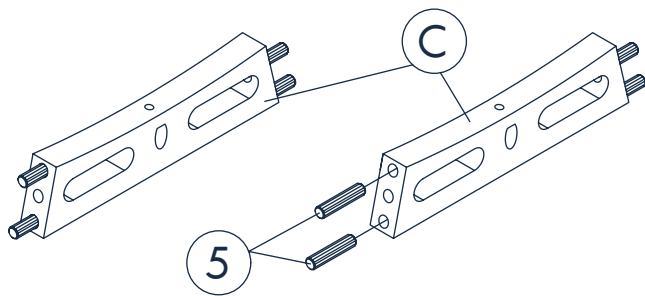
ASSEMBLY STEPS

Read these instructions carefully. Refer to hardware and furniture parts list for guidance. Be sure all parts are complete, before assembling. Place all wooden furniture parts on a clean and flat soft surface to prevent scratches. Refer to steps provided as assembling guide.

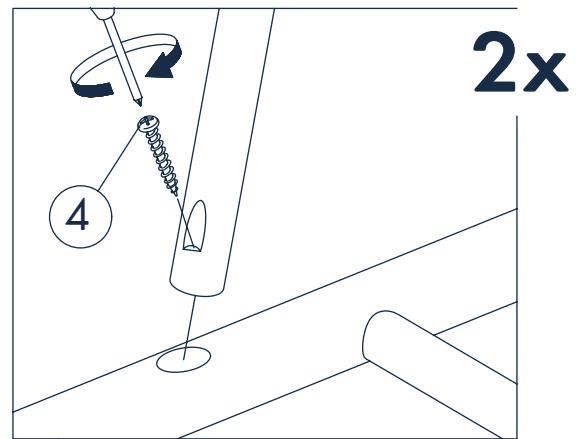
CAUTIONS

- Do not FULLY-TIGHTEN the nuts or nut bolts until all are in place.
- To prevent thread damage. Ensure that nuts or nut bolts are not over-tightened.
- Hardware is to be kept out of reach of children.

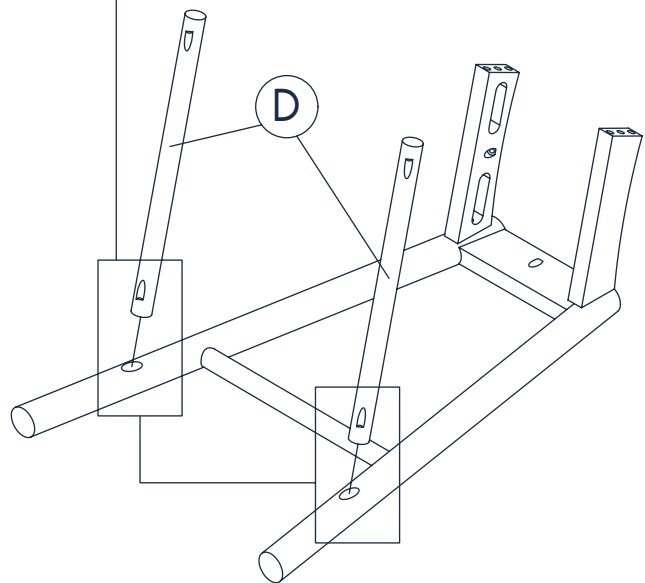
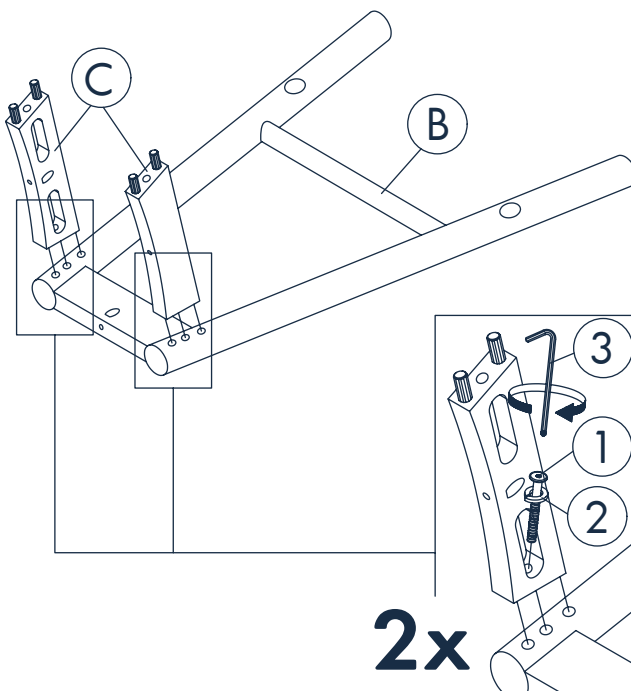
Step 1.1



Step 2

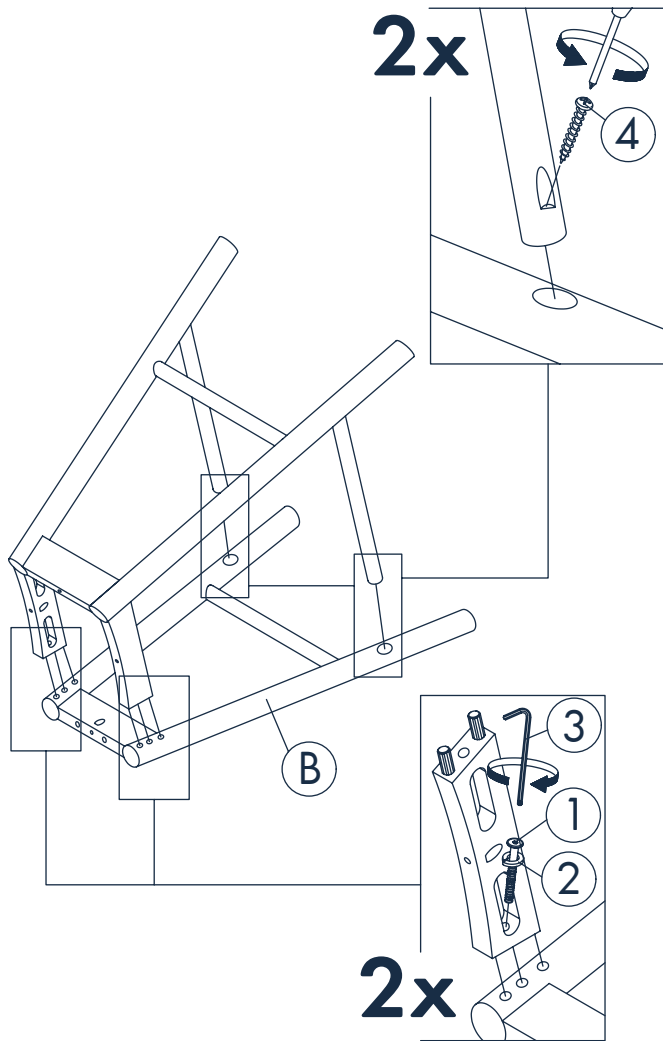


Step 1.2

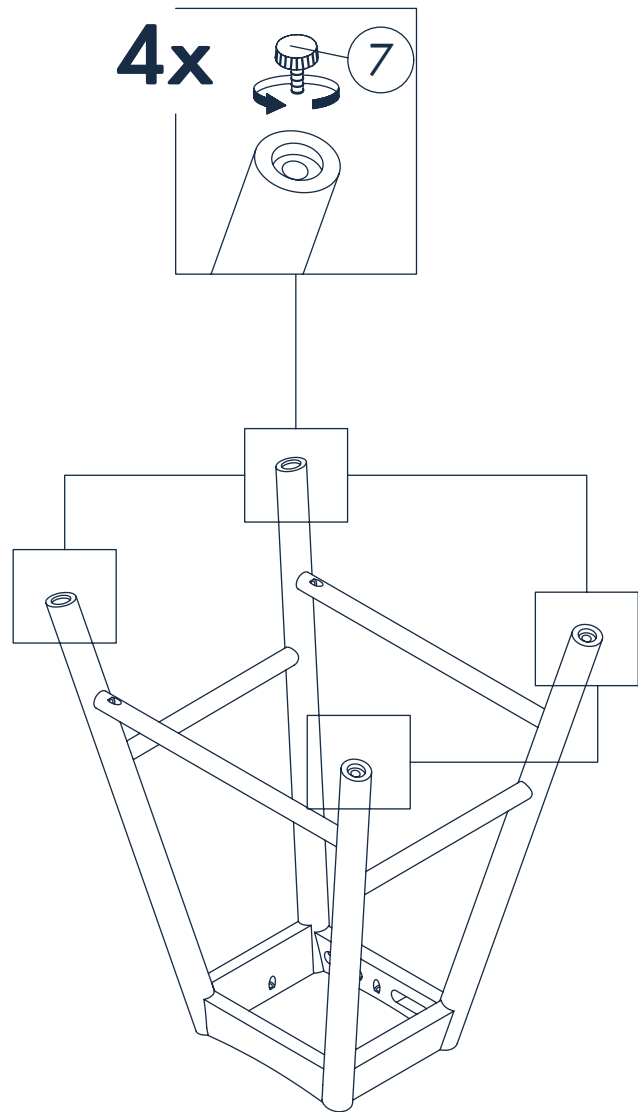




Step 3

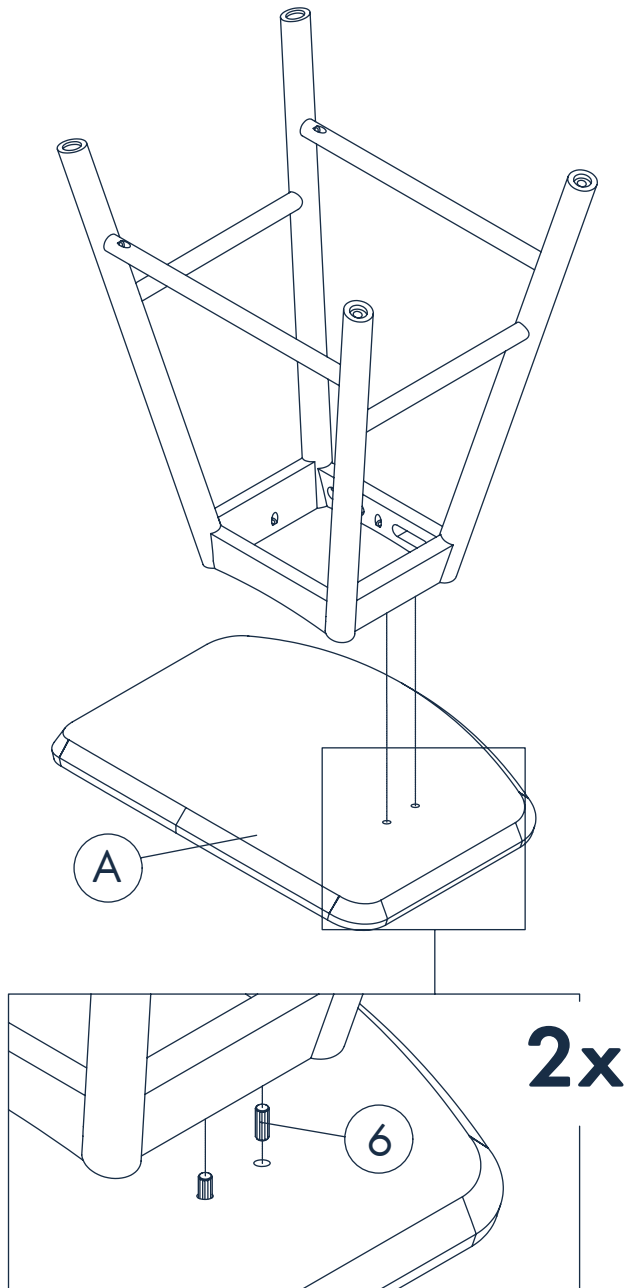


Step 4

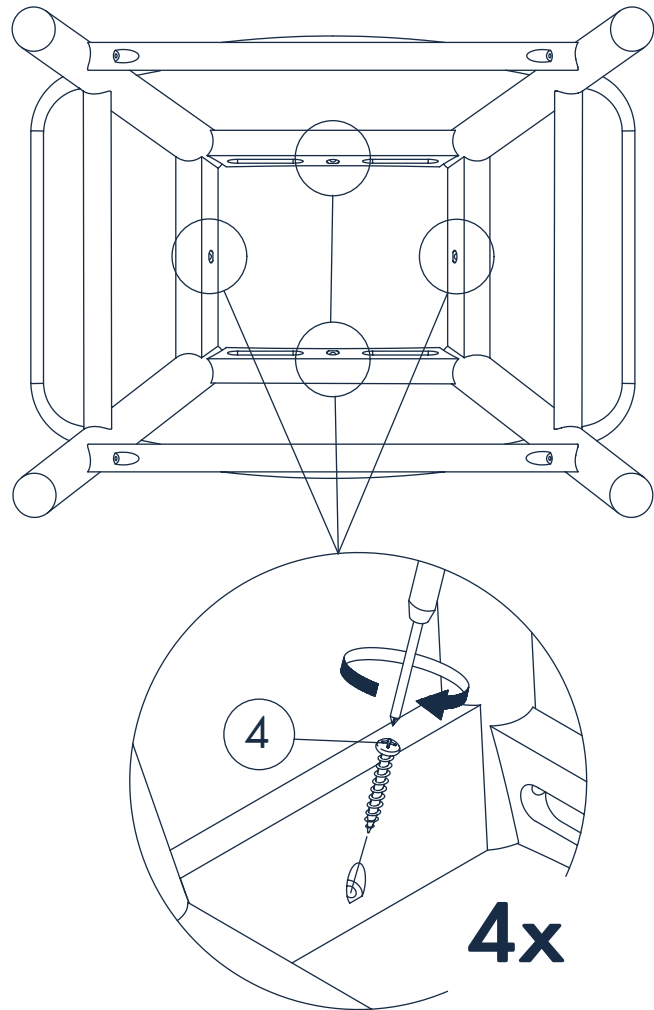




Step 5



Step 6





Step 7

