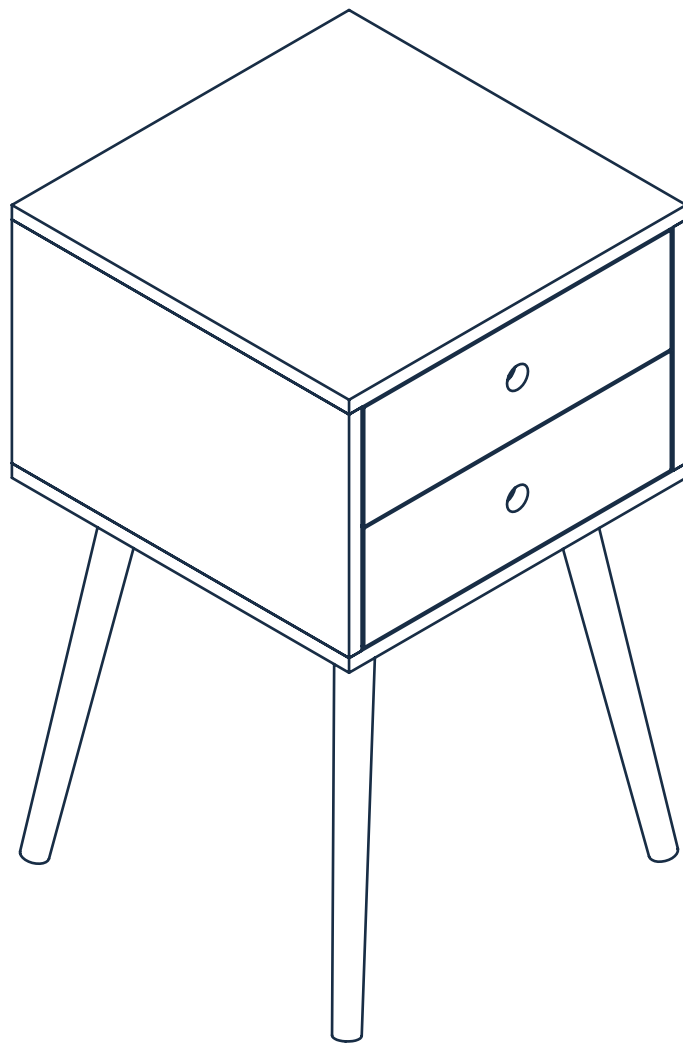


Pillow Talk

INSTALLATION INSTRUCTIONS

KENT BEDSIDE TABLE





It is **STRONGLY RECOMMENDED** that you **ANCHOR** this product.

Toppling furniture can cause serious injuries and death.

This product has been supplied with an anchor kit. To prevent your furniture tipping forward it is strongly recommended that you **securely attach this product** to a wall or other solid surface using appropriate fixings.

IMPORTANT

- **Regularly check** that anchors are securely maintained.
- Do not overload.
- Place heavy objects in the lowest drawers.
- Never let children climb hang on drawers, doors or shelves.
- Stability of tall items may be affected by thick pile carpet or uneven floors.
- Do not put a TV or other heavy objects on top of furniture not intended for use with a TV.

CAUTION

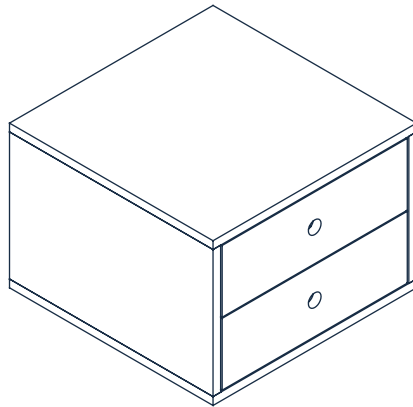
For your safety when attaching the anchor fixings, please note the following:

- Check for any electrical wires or plumbing inside the wall before drilling any holes (if you are unsure, please seek professional Advice from a qualified tradesperson)
- Walls are constructed from different materials, for example, masonry (solid brick) or plasterboard lined cavity walls (hollow). It is important that you use the appropriate wall fittings for your wall type.
- Your local hardware store will have the necessary drills and fittings and can offer advice if needed. If in doubt, engage the services of a qualified tradesperson to install and anchor this product.

PARTS LIST

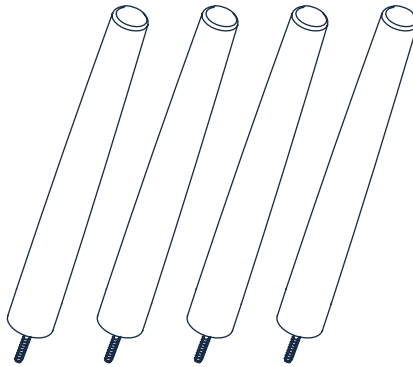
When unpacking, please be careful not to discard any parts with the packaging.
Before continuing, please make sure you have the following parts:

(1)



x 1

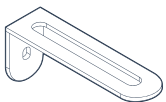
(2)



x 4

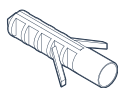
HARDWARE LIST

(A)



x 1

(B)



x 1

(C)



x 1

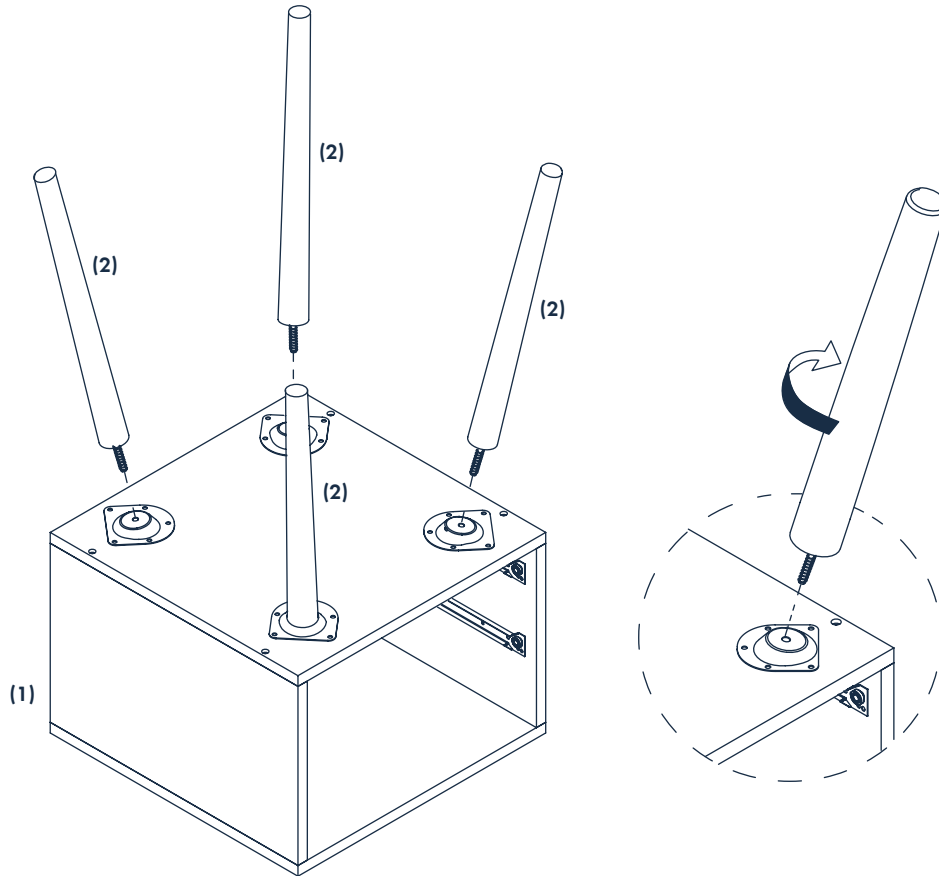
(D)



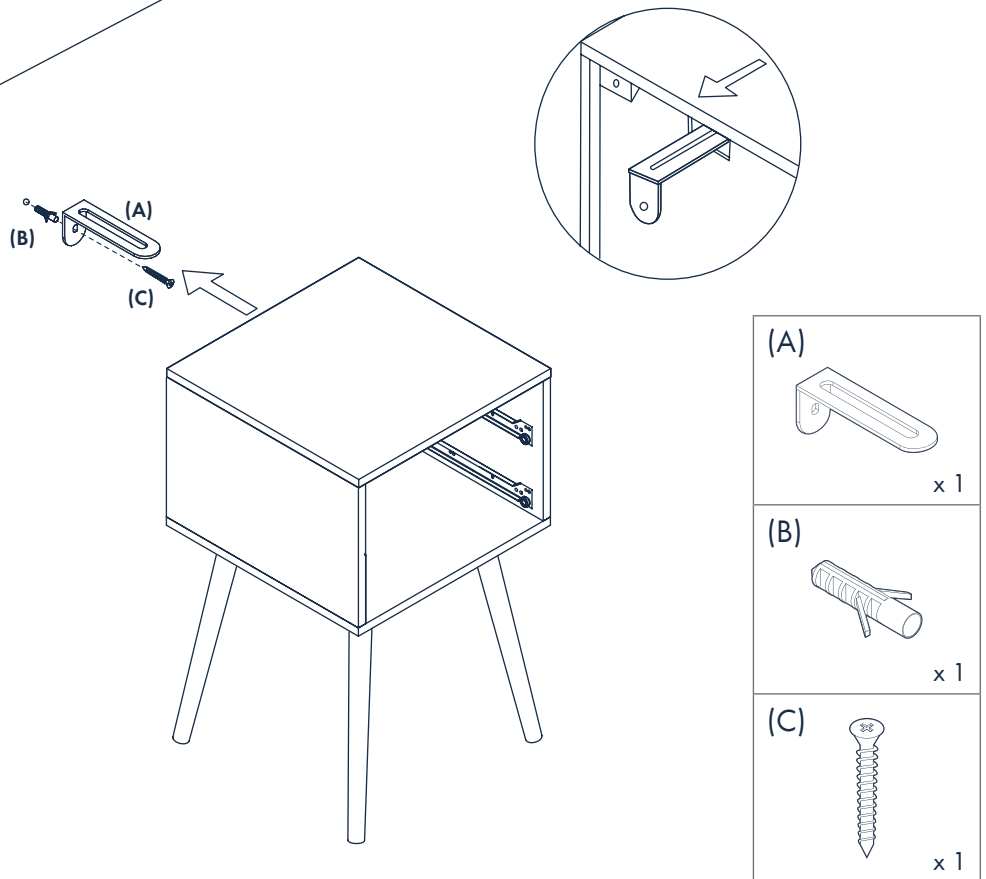
x 1

ASSEMBLY STEPS

Step 1

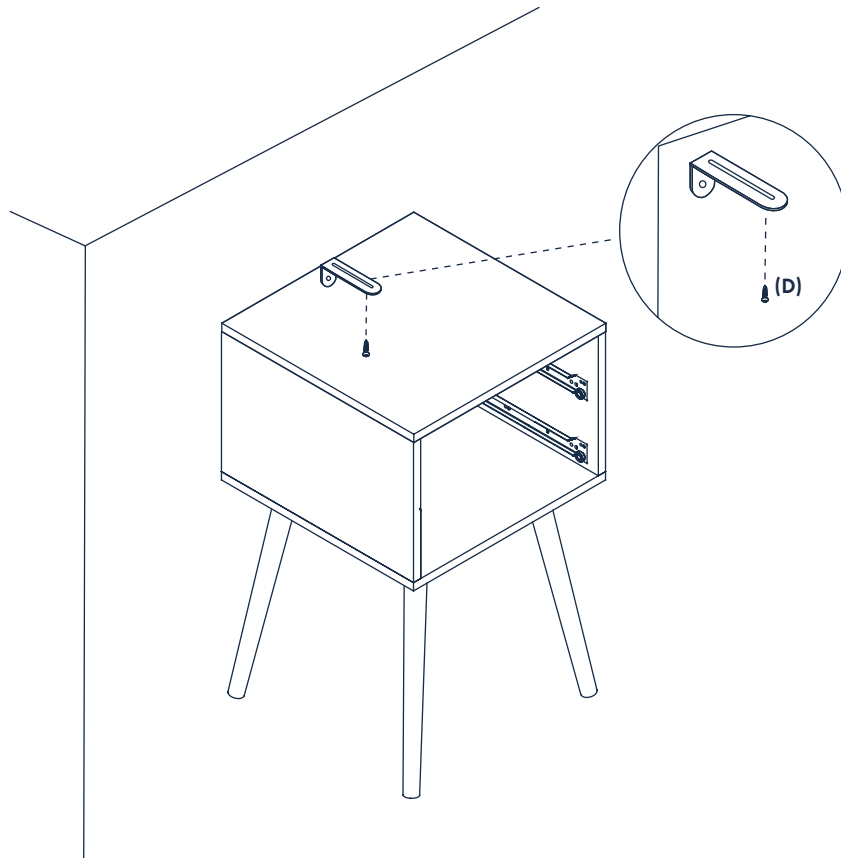


Step 2



ASSEMBLY STEPS

Step 3



Step 4

